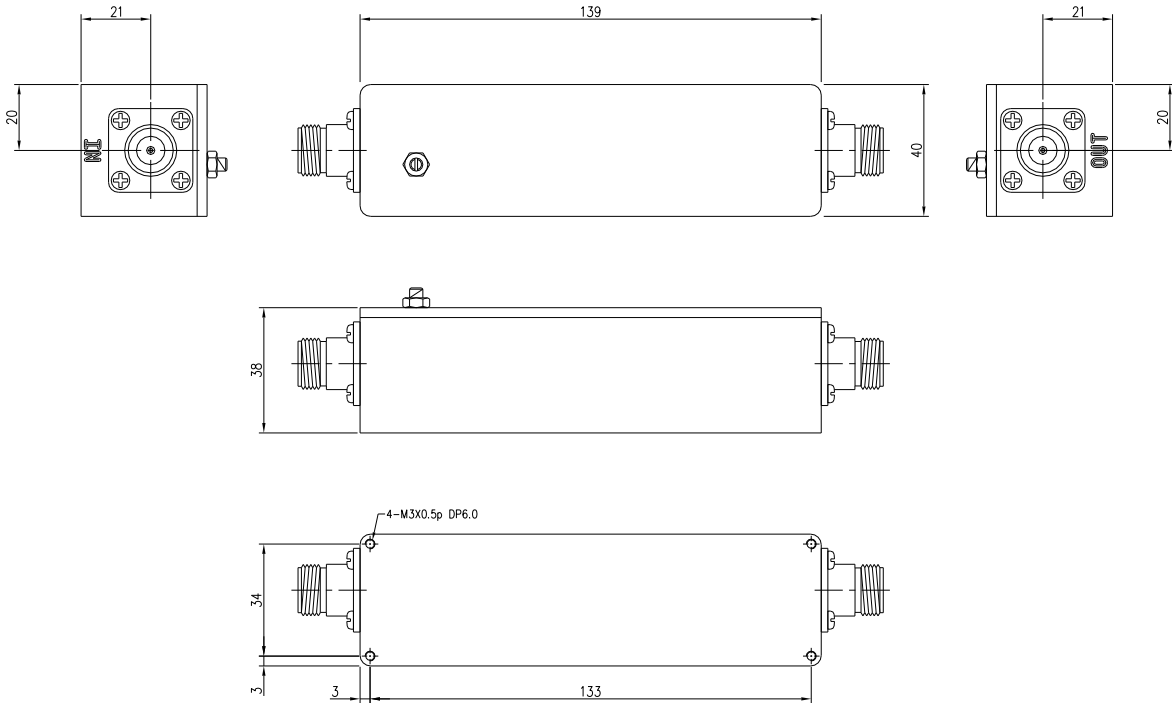


HD34153

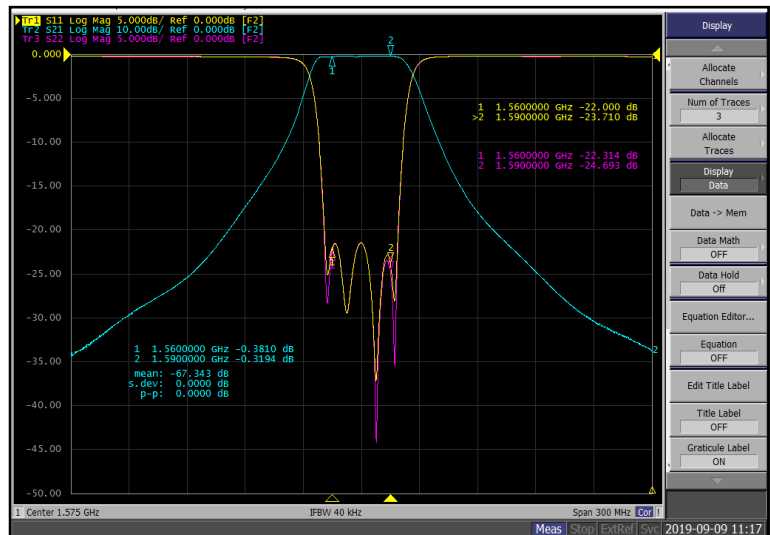
Cavity Band Pass Filter



[Mechanical 2D Drawing]

■ Electrical Specification

1. Frequency Range : 1560-1590MHz
2. Insertion Loss :1.0dB Max.
3. Ripple : 0.5dB Max.
4. Return Loss : 15dB Min.
5. Rejection : 50dBc Min.@ 30~520MHz
6. Impedance : 50Ω
7. Input Power : 100W CW Max
8. Connectors : N(F)
9. Size : 139.0x40.0x38.0 mm
10. Operating Temperature Range : -40~ +85°C



[Simulation Curve]