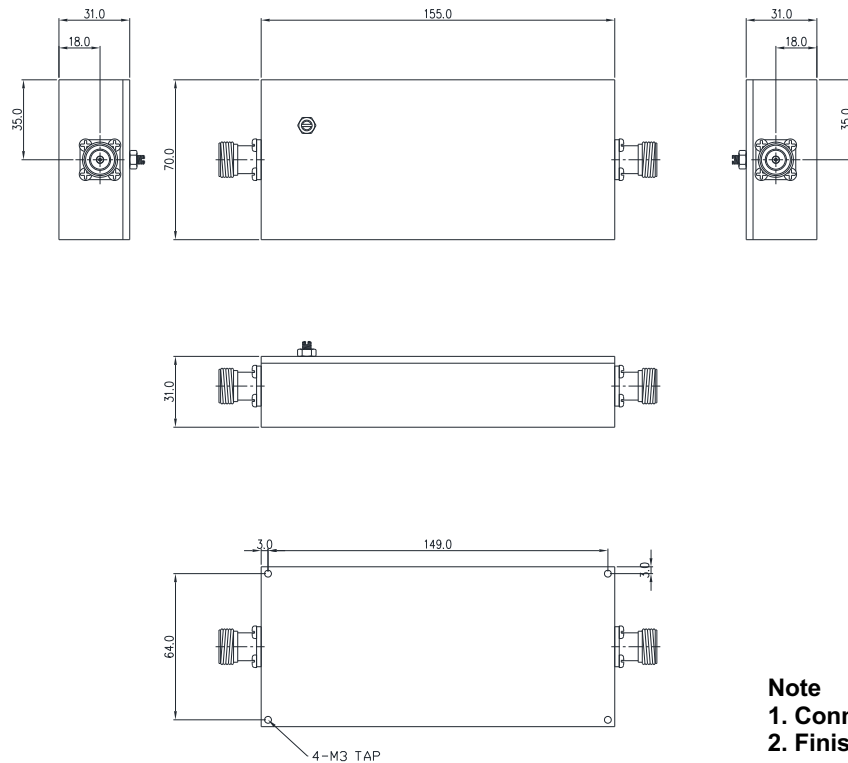


HD34163

Cavity Band Pass Filter

PRELIMINARY SPECIFICATION

■ Mechanical Drawing



Note
 1. Connector : N(f)
 2. Finish : Black Epoxy

■ Electrical Specification

Parameter	Specification	Remark
1. Center Frequency	1788MHz	
2. Frequency Range	C.F±7.5MHz[1780.5~1795.5MHz]	
3. Insertion Loss	2.8 dB Max.	
4. Ripple	1.8 dB Max.	
5. Return Loss	15dB Min.	
6. Attenuation	10dB Min.@10-1778MHz	

HD34163

Cavity Band Pass Filter

7. Input RF Power	10W CW Max.	
8. Impedance	75Ω	
9. Operating Temperature	-10 + 60°C	
10. Connector	N(f)	
11. Size	155 x 70 x 31 mm	

Remarks: This is a preliminary datasheet for reference. The final performance is subject to the sample.

■ Test Curve

