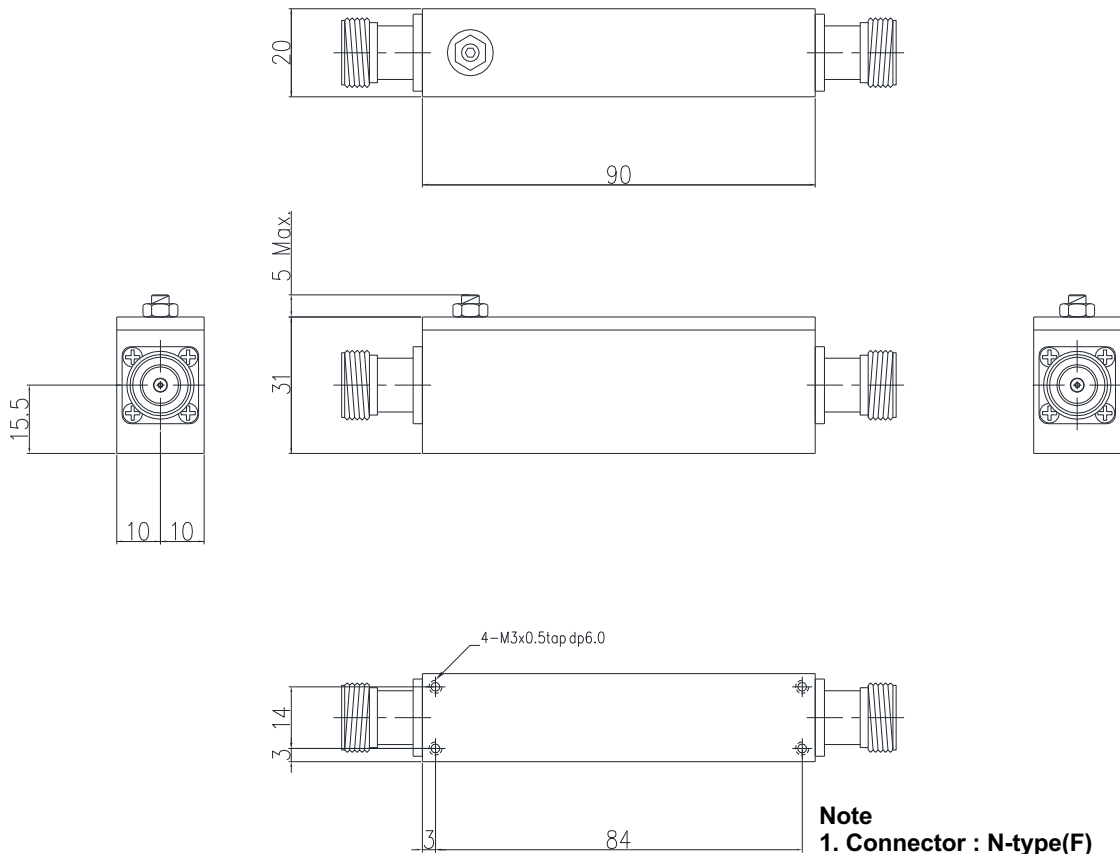


HD34166

Cavity Band Pass Filter

PRELIMINARY SPECIFICATION

■ Mechanical Drawing



- Note**
1. Connector : N-type(F)
 2. Finish : Black epoxy
 3. Mounting : 4x holes

HD34166

Cavity Band Pass Filter

■ Electrical Specification

Parameter		Specification	Remark
1. Center Frequency [Fc]		2140MHz	
2. Pass Band [1dB BW]		2100~2180MHz (Fc ± 40MHz)	
3. Insertion Loss		1.5 dB Max.	
4. VSWR		1:1.4 Max.	
5. Rejection	DC~1980MHz	50 dB Min.	
	2400~6000MHz	60 dB Min.	
6. Power Handling		10W CW	
7. In/Out Impedance		50Ω	
8. Size		90.0 × 20.0 × 31.0 mm	proposal

Remarks: This is a preliminary datasheet for reference. The final performance is subject to the sample.

■ Environmental Specification

Parameter		Specification	Remark
1. Operation Temperature		-20°C ~ +80°C	
2. Storage Temperature		-20°C ~ +80°C	
3. Relative Humidity		10% ~ 95%	
4. Random Vibration		MIL-STD-810 F Method 514.4 Procedure C1. 3 Axis, 20 min per each axis	
5. Dust		MIL 810F Method 510.4 Procedure III settling dust	
6. Safety Requirement		Approved according to UL/CE or similar standards	

Remarks: This is a preliminary datasheet for reference. The final performance is subject to the sample.

HD34166

Cavity Band Pass Filter

■ Simulation Data

