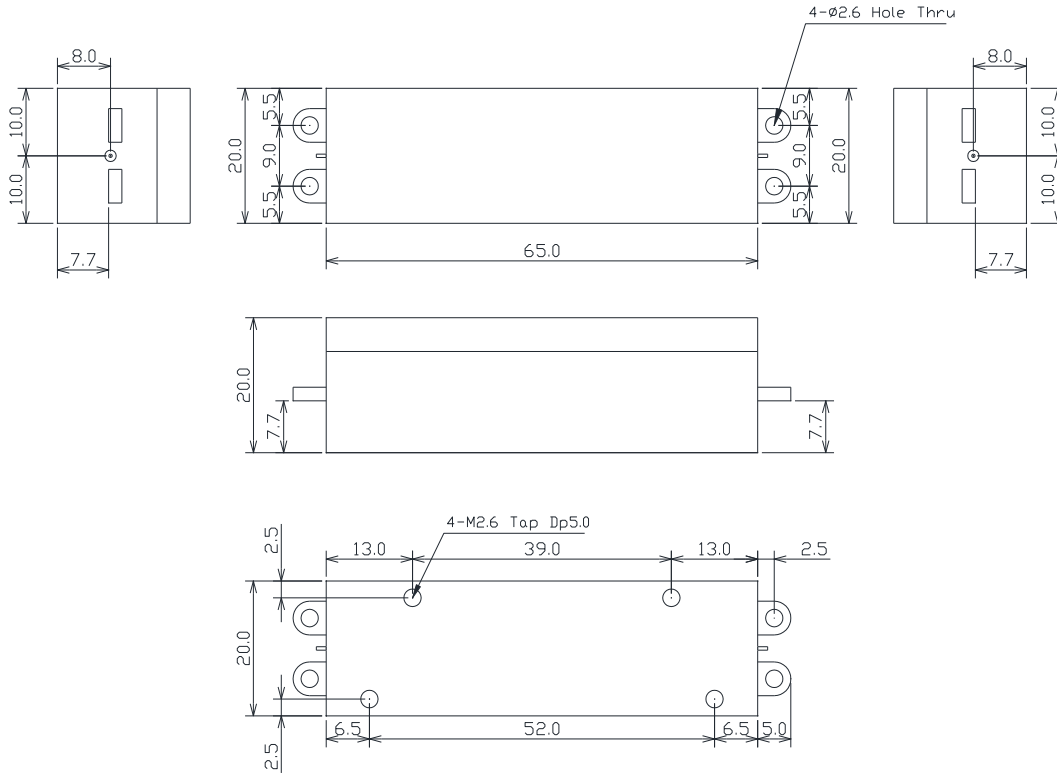


HD34179

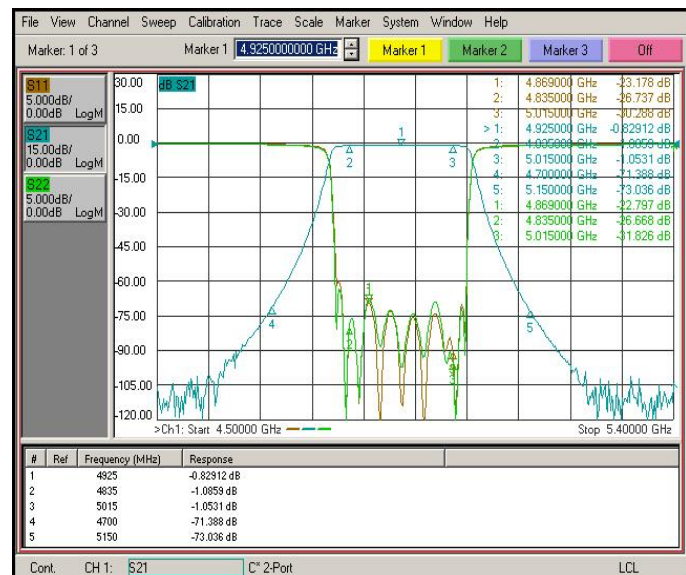
C-Band Cavity Band Pass Filter



[Mechanical 2D Drawing]

■ Electrical Specification

1. Center Frequency : 4925MHz
2. Bandwidth : 180MHz
3. Insertion Loss : 1.2dB Max.
4. Pass Band Ripple : 0.5dB Max.
5. Return Loss : 15dB Min.
6. Rejection : 70dB @ 4400 ~ 4700MHz
70dB @ 5150 ~ 5500MHz
7. Group Delay Variation :
20nS @ Over any slice of 10MHz
within operational bandwidth
8. Impedance : 50Ω
9. Power Handling : 10W Max.
10. Interface : PIN
11. Size : 65 X 20 X 20(with T/S)mm



[PLOT DATA]