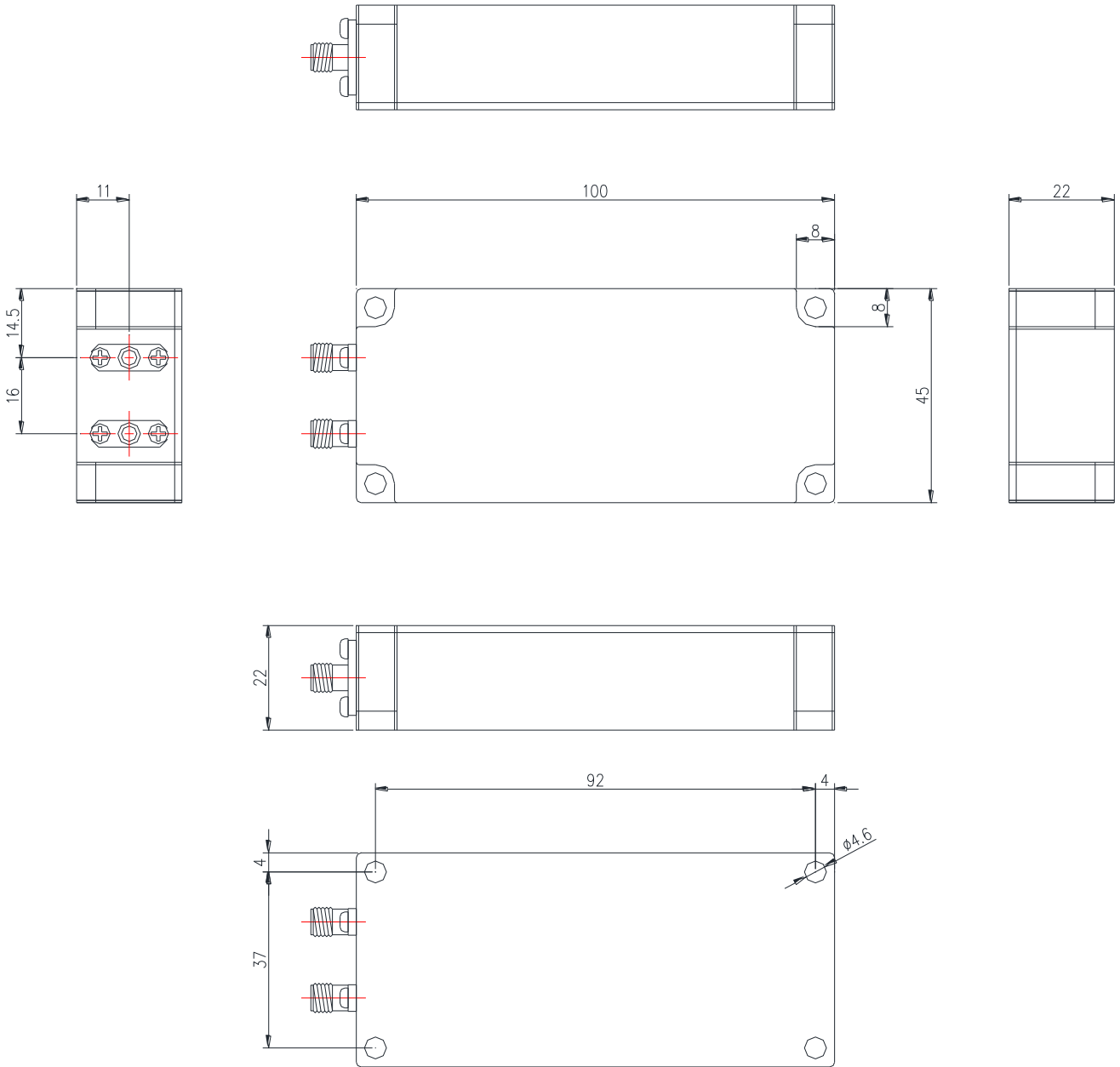


HD34184

Cavity Band Pass Filter



[Mechanical 2D Drawing]



HD34184

Cavity Band Pass Filter

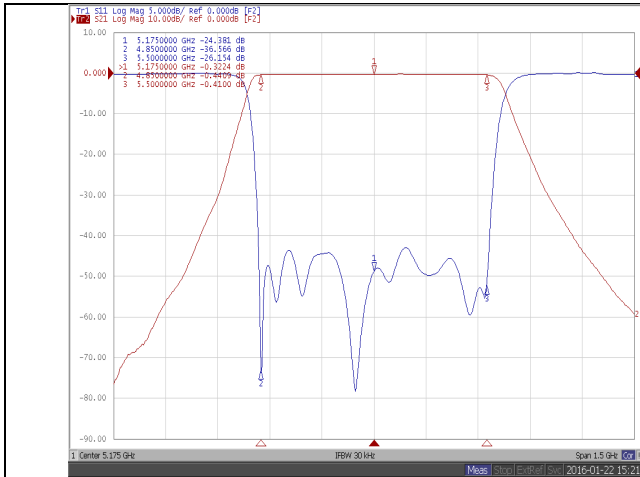
■ **Electrical Specification**

1. Center Frequency : 5175MHz
2. Bandwidth : 650MHz
3. Insertion Loss : 0.6dB Max.
4. Return Loss : 18dB Max.
5. Attenuation : 30dB Min @ 5700MHz
30dB Min @ 4650MHz
60dB Min @ 6000MHz
60dB Min @ 4350MHz
6. Harmonics : 60dBc @ 9500 ~ 17000MHz
7. Power Handling : 10W
8. Size : 100 X 45 X 22mm

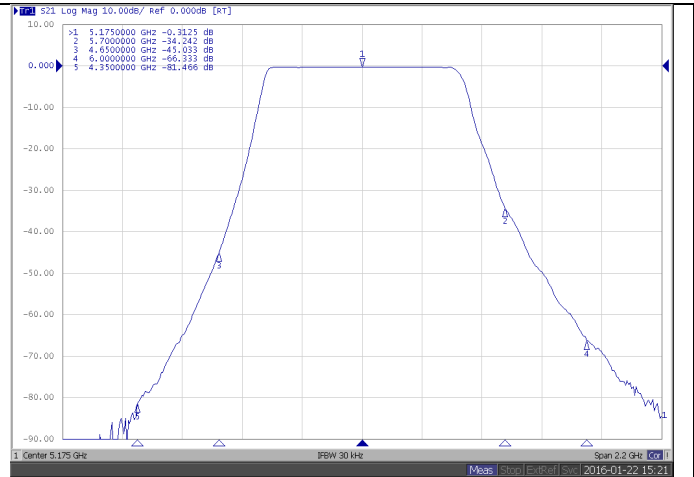
HD34184

Cavity Band Pass Filter

■ PLOT DATA



Insertion Loss & Return Loss



Rejection

Harmonics up to 17GHz