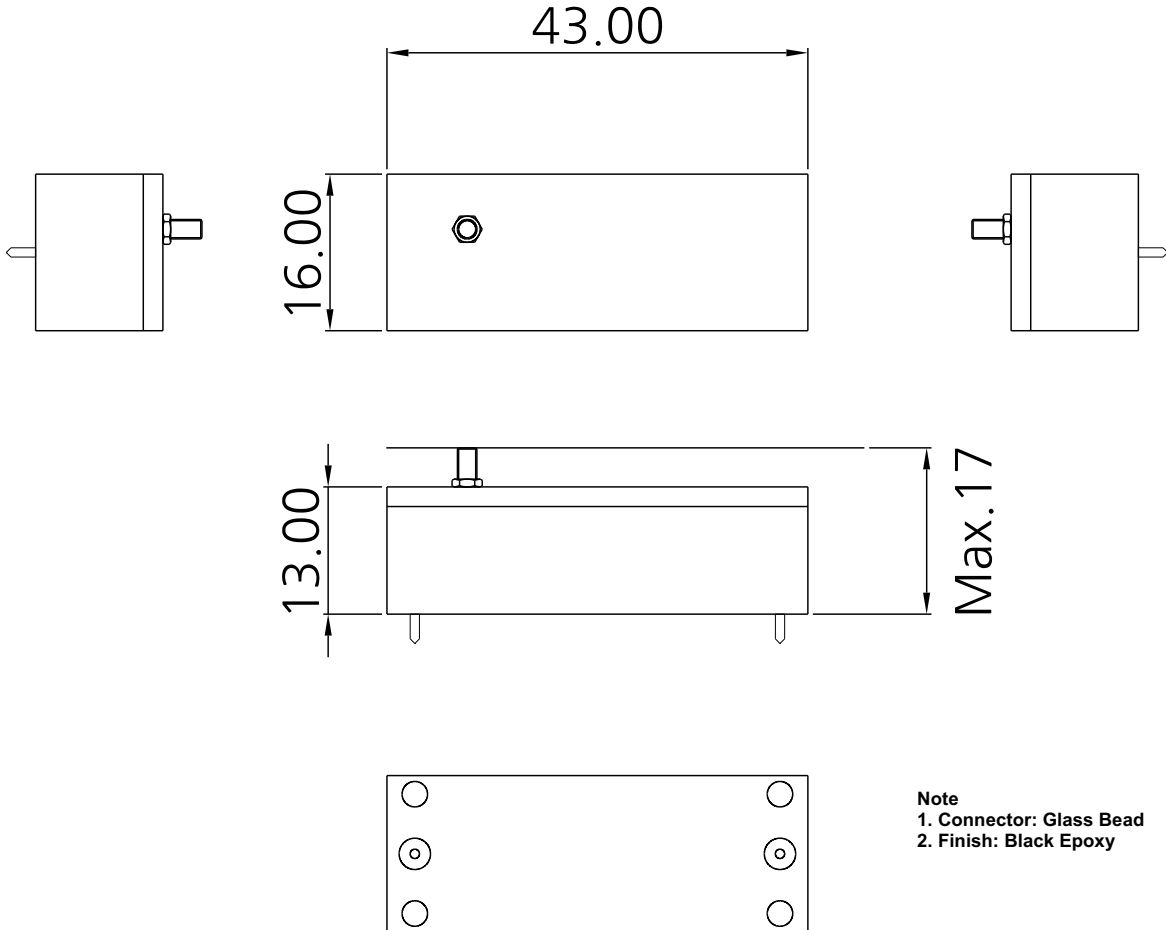


HD34200

Cavity Band Pass Filter

PRELIMINARY SPECIFICATION

■ Mechanical Drawing



■ Electrical Specification

Parameter	Specification	Remark
1. Center Frequency	8750MHz	
2. Bandwidth	$F_c \pm 125\text{MHz}$ [8625~8875MHz]	
3. Insertion Loss	2.1dB Max.	
4. Insertion Loss at 8750MHz	1.5dB Max.	
5. Return Loss	21dB Min.	

HD34200

Cavity Band Pass Filter

6. Rejection	40dB Min.@ 8455MHz	
	45dB Min.@ 9045MHz	
7. Power	2W Max.	
8. In/Out Impedance	50Ω	
9. Operating Temperature	-20°C to +80°C	
10. Size	43.0 x 16.0 x 13.0mm	Without Connector & Bolt

Remarks: This is a preliminary datasheet for reference.

Simulation Data

