

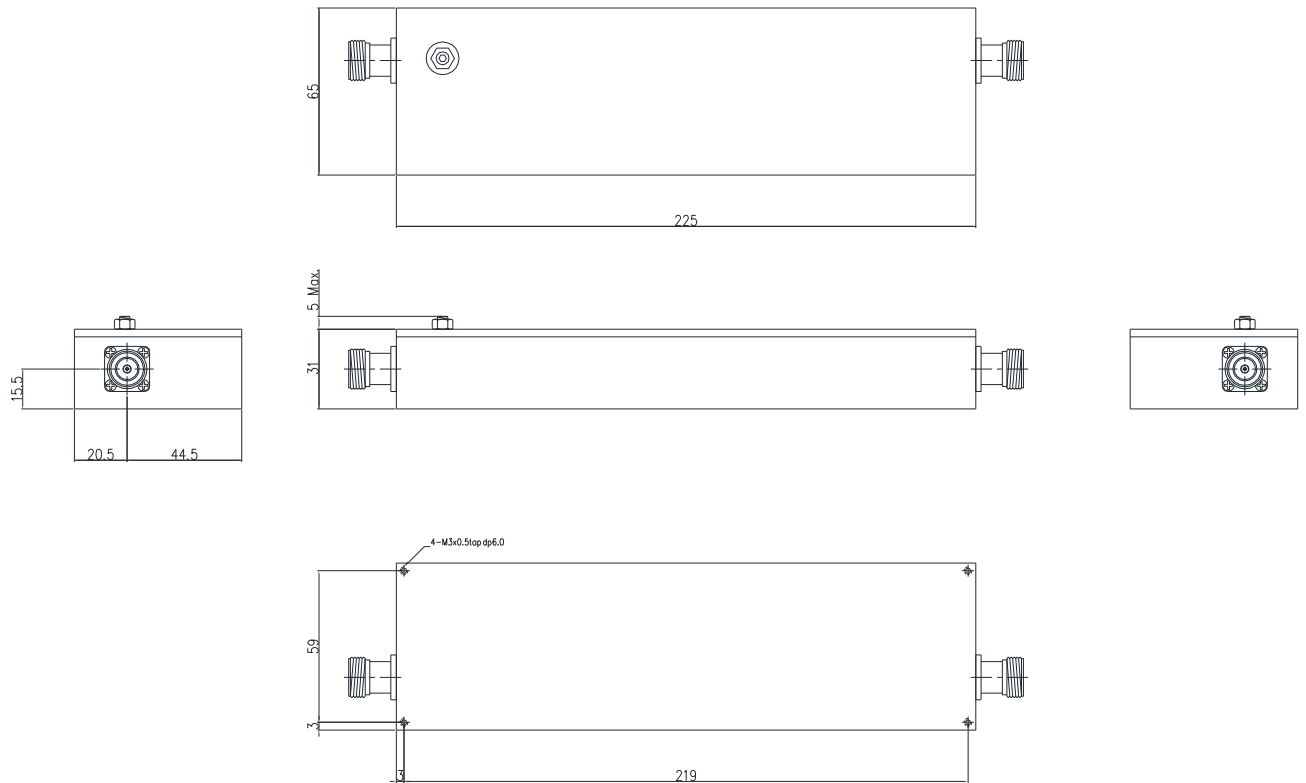
PRELIMINARY SPECIFICATION

Product Name : Cavity Band Pass Filter

Part No : HD34202

PRODUCT SPECIFICATION FOR INFORMATION

■ Mechanical Drawing



Note

1. Connector : N-type(F)
2. Finish : Black epoxy
3. Mounting : 4x holes

■ Electrical Specification

Parameter		Specification	Remark
1. Center Frequency [Fc]		926.5MHz	
2. Pass Band [3dB BW]		893~960MHz (Fc \pm 33.5MHz)	
3. Insertion Loss		1.5 dB Max.	
4. VSWR		1:1.4 Max.	
5. Rejection	DC~880MHz	40 dB Min.	
	1200~6000MHz	60 dB Min.	
6. Power Handling		10W CW	
7. In/Out Impedance		50 Ω	
8. Size		225.0 \times 65.0 \times 31.0 mm	proposal

Remarks: This is a preliminary datasheet for reference. The final performance is subject to the sample.

■ Environmental Specification

Parameter	Specification	Remark
1. Operation Temperature	-20°C ~ +80°C	
2. Storage Temperature	-20°C ~ +80°C	
3. Relative Humidity	10% ~ 95%	
4. Random Vibration	MIL-STD-810 F Method 514.4 Procedure C1. 3 Axis, 20 min per each axis	
5. Dust	MIL 810F Method 510.4 Procedure III settling dust	
6. Safety Requirement	Approved according to UL/CE or similar standards	

Remarks: This is a preliminary datasheet for reference. The final performance is subject to the sample.

■ Simulation Data

