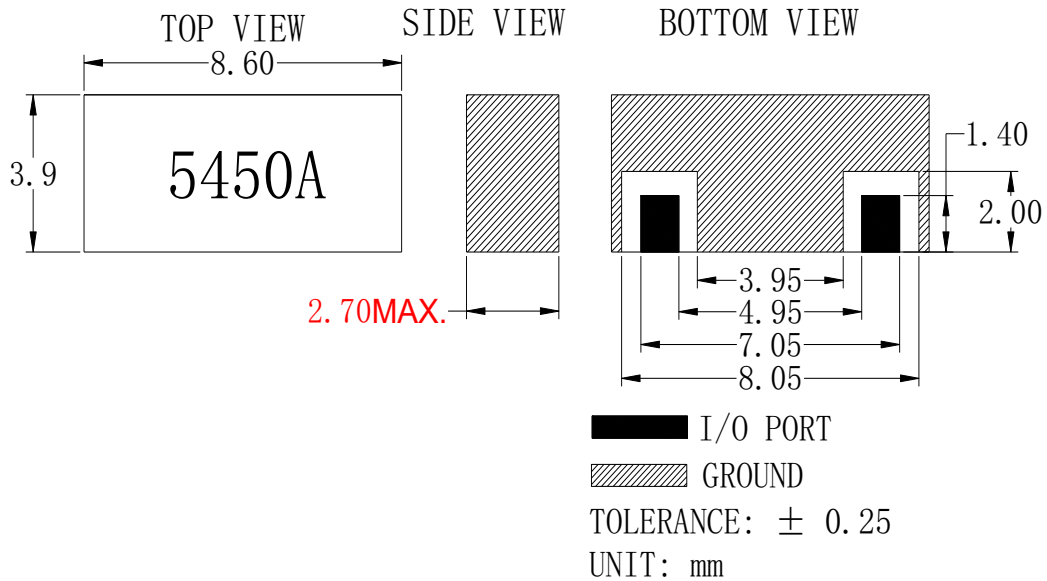


PRODUCT SPECIFICATION FOR INFORMATION

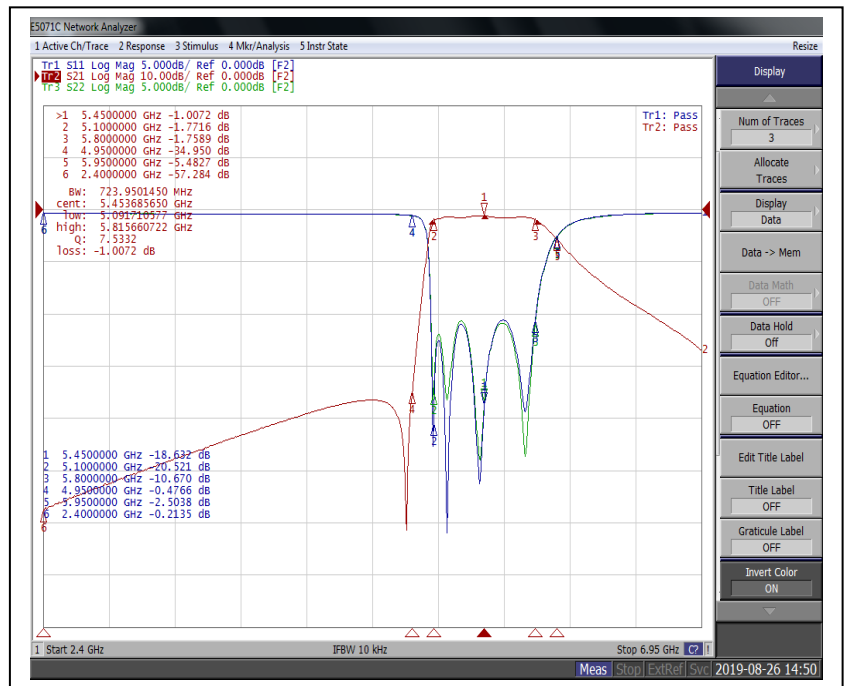
- Product Name :Mono Block BAND PASS FILTER
- Part No : HD34223



[Mechanical 2D Drawing]

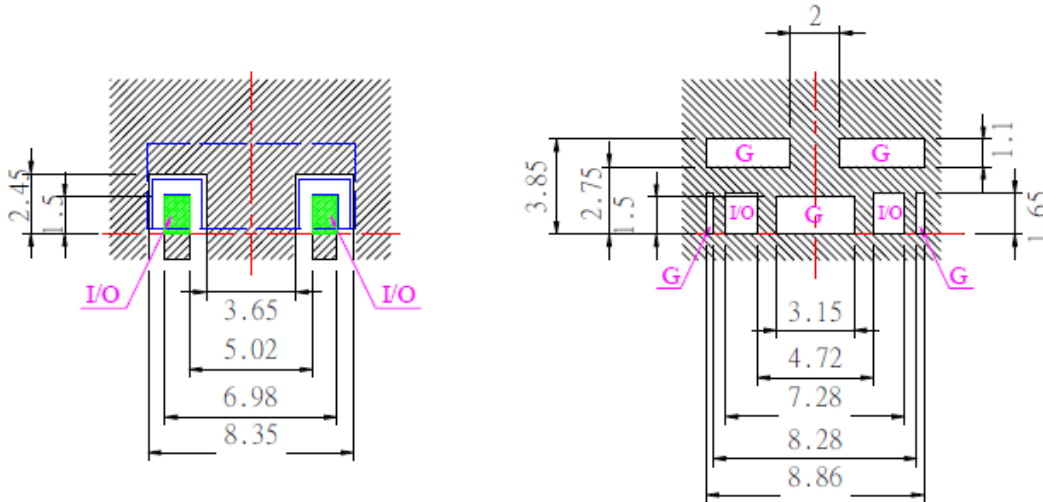
Electrical Specification

1. Frequency Range : 5100~5800MHz
2. Insertion Loss : 2.0dB Max.@ 5100~5800MHz
3. Ripple : 1.0dB Max.
4. Return Loss : 10dB Min.
5. Rejection : 55dB Min.@ 2400MHz
 7dB Min.@ 4950MHz
 5dB Min.@ 5950MHz
6. Impedance : 50Ω
7. Input Power : 1W CW Max
8. Connectors : SMD
9. Size : See attached dimension.
10. Operating Temperature Range : -40~ +85°C



[Test Curve]

■ Recommended Land Pattern



Tolerance ± 0.20

I/O : Input/Output

G : Ground



Electrode



Solder Resist



I/O Pads must be connected to lines with 50Ω impedance. In the application a termination of 50Ω must be realized.



Solder LAND