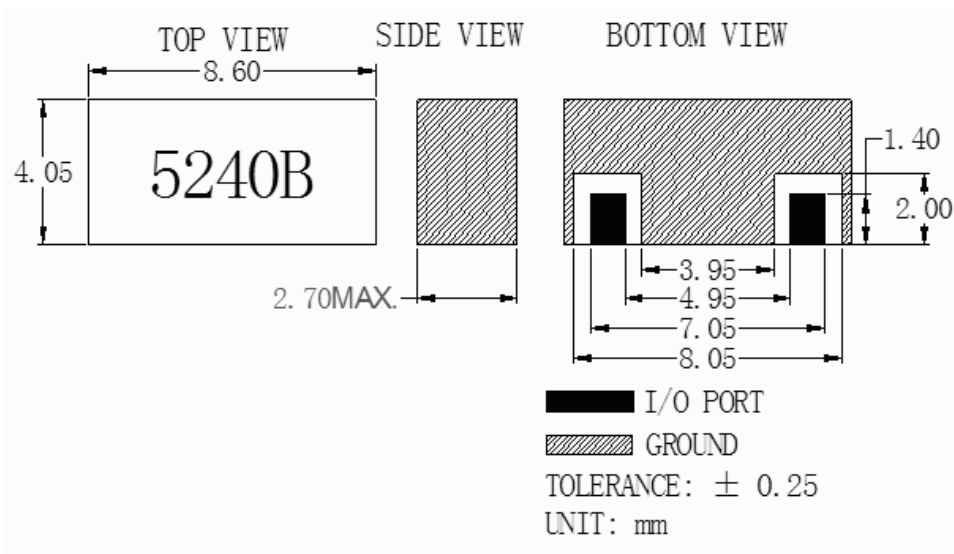


PRODUCT SPECIFICATION FOR INFORMATION

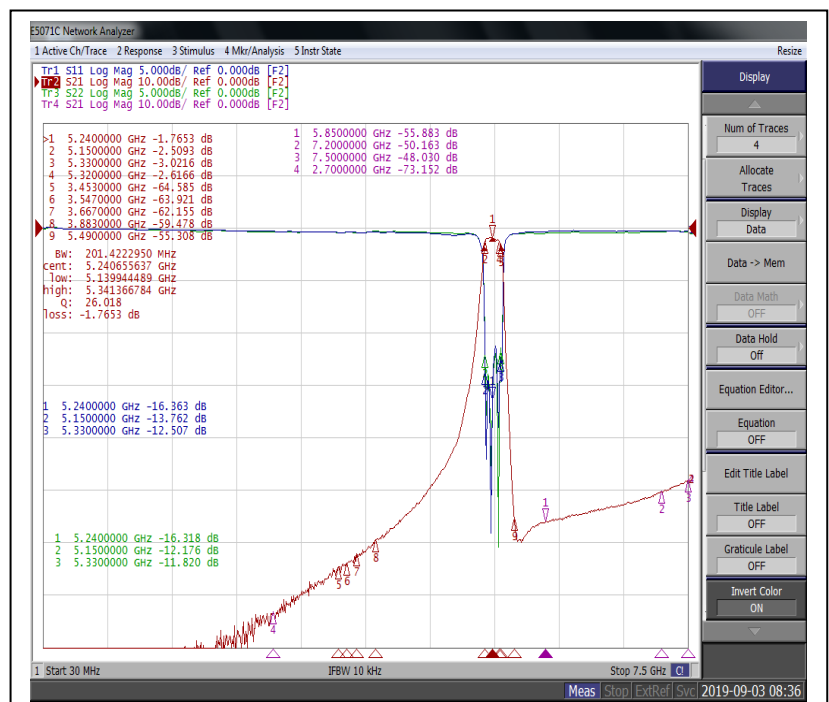
- Product Name :Mono Block BAND PASS FILTER
- Part No : HD34224



[Mechanical 2D Drawing]

■ Electrical Specification

1. Frequency Range : 5150~5330MHz
2. Insertion Loss : 3.2dB Max.@ 5150~5330MHz
3. Ripple : 1.8dB Max.
4. Return Loss : 10dB Min.
5. Rejection : 38dB Min.@ 30~2700MHz
16dB Min.@ 3453~3547MHz
33dB Min.@ 3667~3883MHz
50dB Min.@ 5490~5850MHz
20dB Min.@ 7200~7500MHz
6. Impedance : 50Ω
7. Input Power : 1W CW Max
8. Connectors : SMD

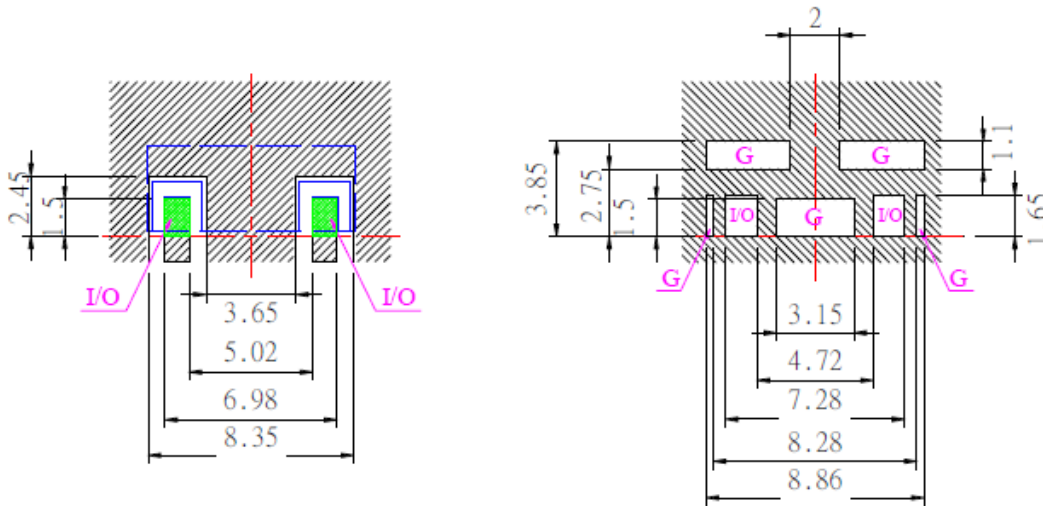


9. Size : See attached dimension.

10. Operating Temperature Range : -40~ +85°C

[Test Curve]

■ Recommended Land Pattern



Tolerance ± 0.20

I/O : Input/Output

G : Ground



Electrode



Solder Resist



I/O Pads must be connected to lines with 50Ω impedance. In the application a termination of 50Ω must be realized.



Solder LAND