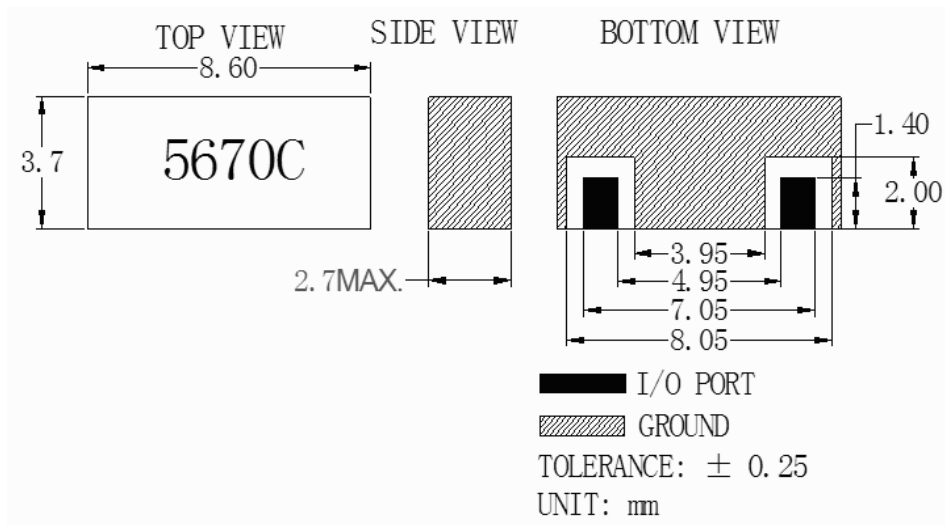


# PRODUCT SPECIFICATION FOR INFORMATION

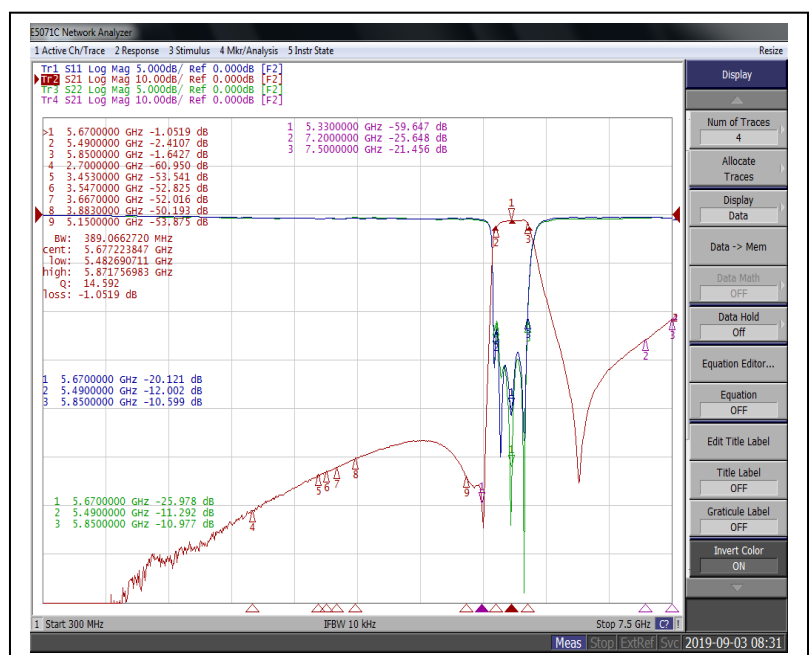
- Product Name :Mono Block BAND PASS FILTER
- Part No : HD34225



[ Mechanical 2D Drawing ]

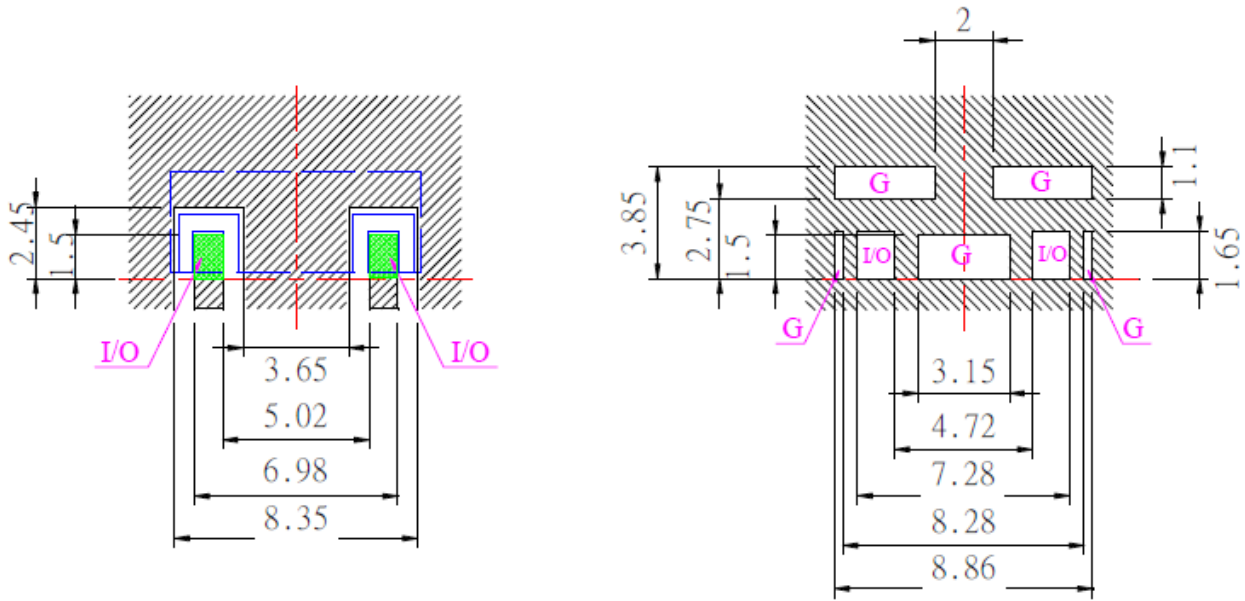
## Electrical Specification

1. Frequency Range : 5490~5850MHz
2. Insertion Loss : 2.8dB Max
3. Ripple : 1.5dB Max.
4. Return Loss : 10dB Min.
5. Rejection : 38dB Min.@ 30~2700MHz  
 16dB Min.@ 3453~3547MHz  
 33dB Min.@ 3667~3883MHz  
 50dB Min.@ 5150~5330MHz  
 20dB Min.@ 7200-7500MHz
6. Impedance : 50Ω
7. Input Power : 1W CW Max
8. Connectors : SMD
9. Size : See attached dimension.
10. Operating Temperature Range : -40~ +85°C



[ Test Curve ]

## ■ Recommended Land Pattern



Electrode



I/O Pads must be connected to lines with  $50\Omega$  impedance. In the application a termination of  $50\Omega$  must be realized.



Solder Resist



Solder LAND

Tolerance  $\pm 0.20$

I/O : Input/Output

G : Ground