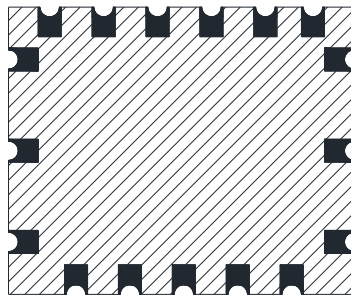
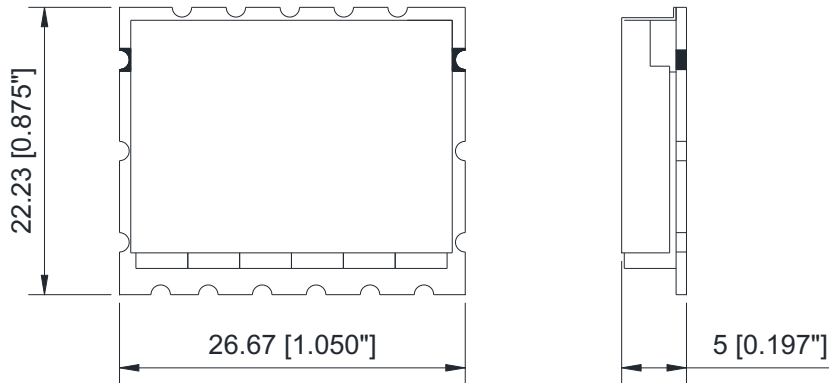


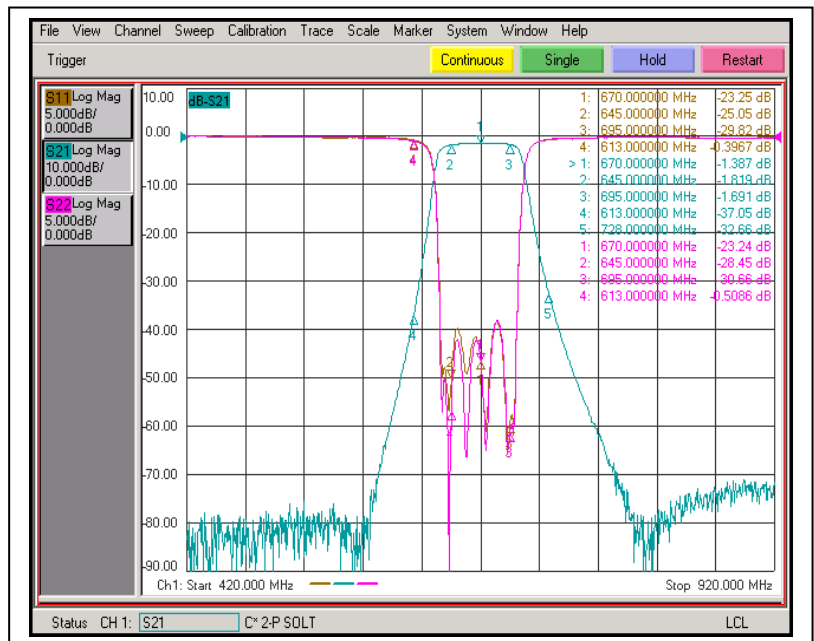
PRODUCT SPECIFICATION FOR INFORMATION

- Product Name : CERAMIC BAND PASS FILTER
- Part No : HD34241



- EXPOSED METAL/GROUND
- ▨ SOLDER MASK

1. Center Frequency : 670MHz
2. Bandwidth : 50MHz(645 ~ 695MHz)
3. Insertion Loss in PB : 3.0dB Max
4. Amplitude Ripple : ± 1.0 dB Max.
5. Return Loss : 15dB Min.
6. Rejection : 35dB Min @ 613MHz
30dB Min @ 728 ~ 1500MHz
7. Impedance : 50 Ω
8. Input power rating : +30dBm
9. Temperature Range : -40 ~ +80 $^{\circ}$ C
10. Size : 26.67 X 22.23 X 5mm



[SIMULATION CURVE]