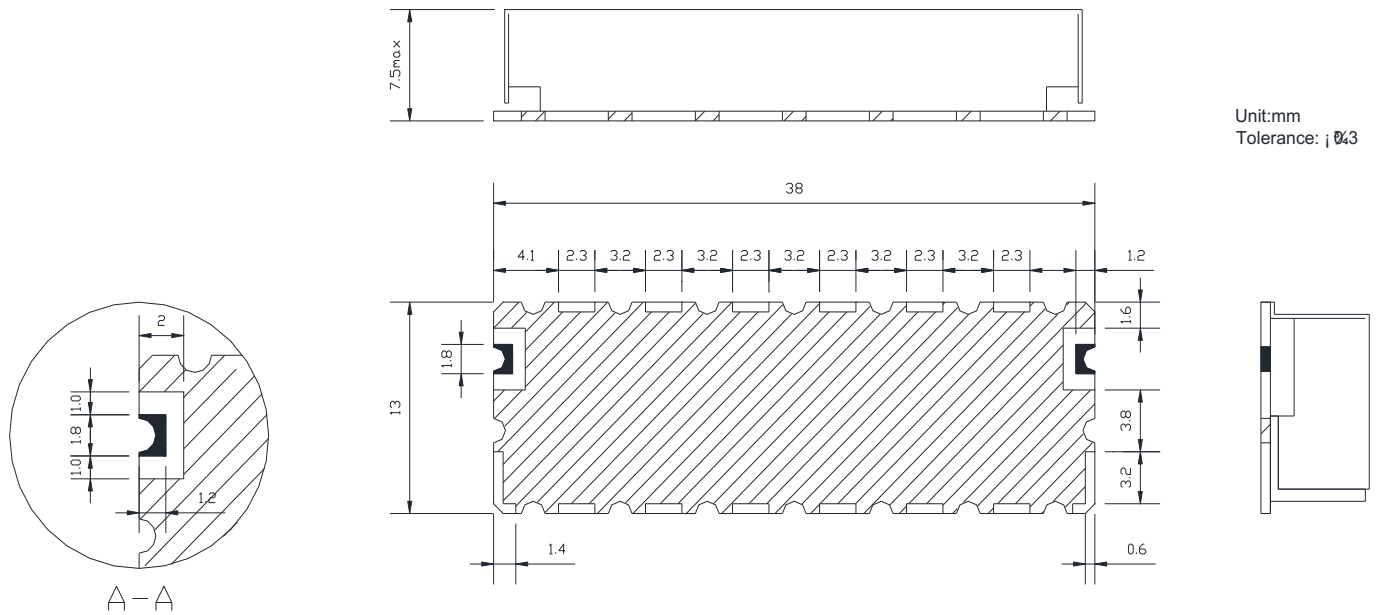


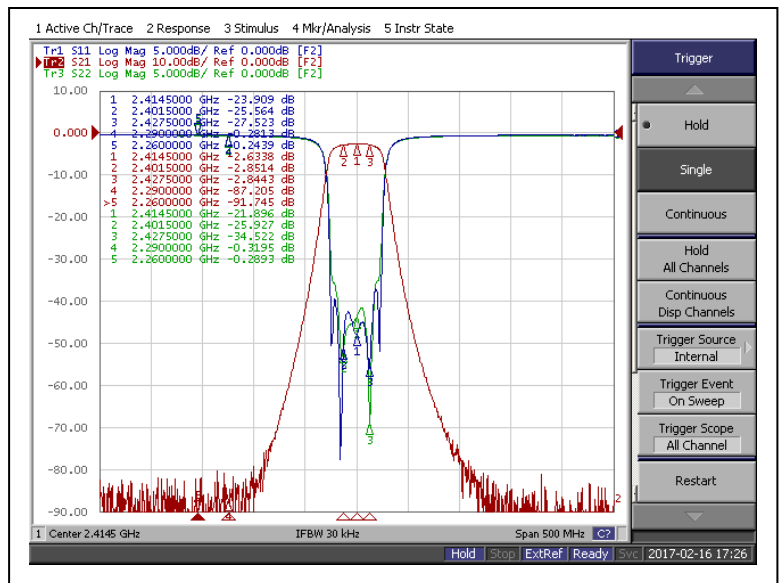
PRODUCT SPECIFICATION FOR INFORMATION

- Product Name : CERAMIC BAND PASS FILTER
- Part No : HD34245



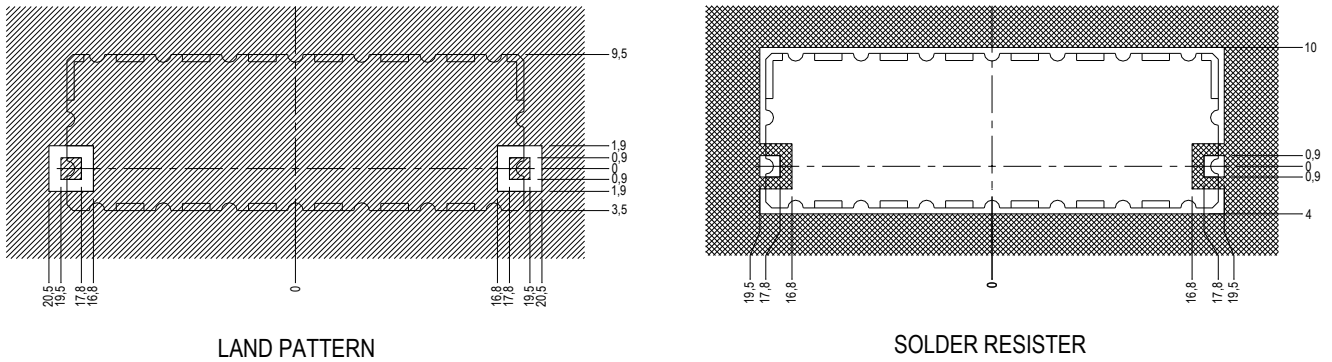
Unit:mm
Tolerance: j 0.43

1. Center Frequency : 2414.28MHz
2. 1.0dB Bandwidth : $F_o \pm 13$ MHz Min.
3. Insertion Loss @ F_o : 6.5dB Max.
4. Ripple : 0.2dB Max. @ $F_o \pm 1$ MHz
0.55dB Max. over any 2MHz
1.0dB Max. over passband
5. Return Loss in Passband : 15dB Min.
6. Attenuation : 80dB Min @ 2260 ~ 2290MHz
7. Group Delay : 55nSec in passband
8. Input Power : 2.0W Max.
9. Impedance : 50Ω
10. Operating Temperature : -30°C ~ +70°C
11. Storage Temperature : -50°C ~ +85°C

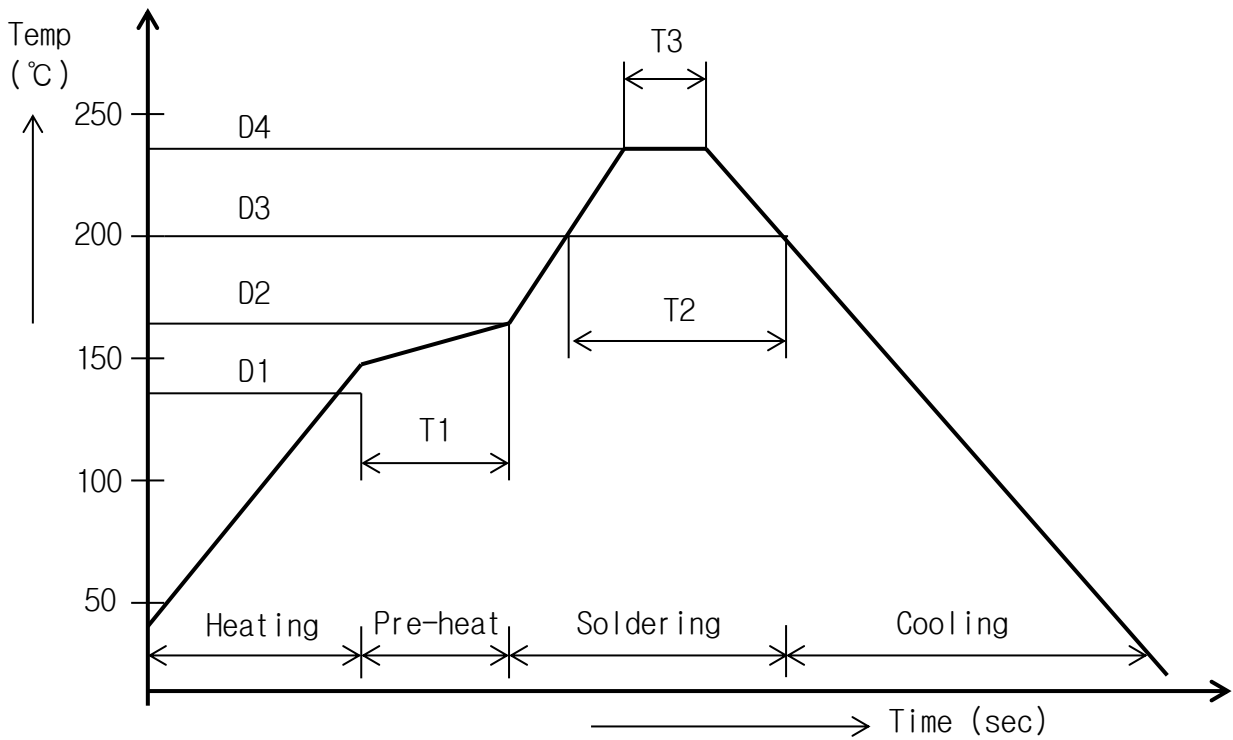


[TEST CURVE]

■ Land Pattern



■ Soldering Time Profile



| No | ITEM | TEMPERATURE | TIME(SEC) |
|----|-------------|---------------------|--------------|
| 1 | PRE-HEAT | D1 : 140 ~ D2 : 160 | T1 : 60±20 |
| 2 | SOLDERING | D3 : 200 | T2 : 20 ~ 30 |
| 3 | TEMPERATURE | D4 : 230±10 | T3 : 7 MAX |

1) Soldering Iron Condition

- (1) Temperature : 230°C max
- (2) Duration : 4 sec max (1 part)
- (3) Capacity : 3W max