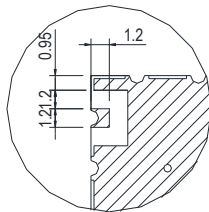
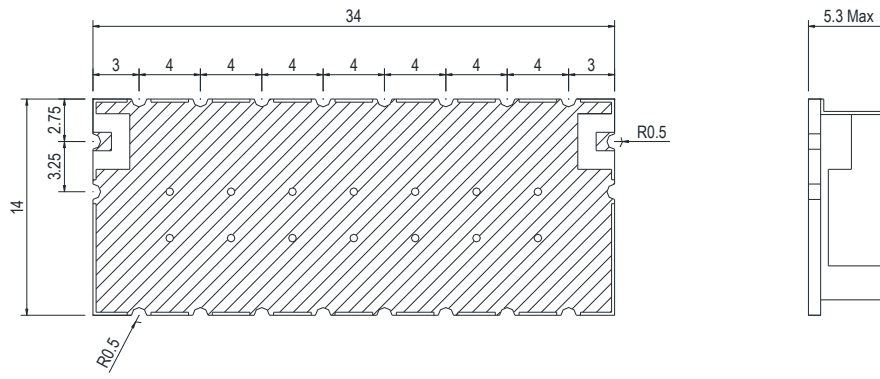


PRODUCT SPECIFICATION FOR INFORMATION

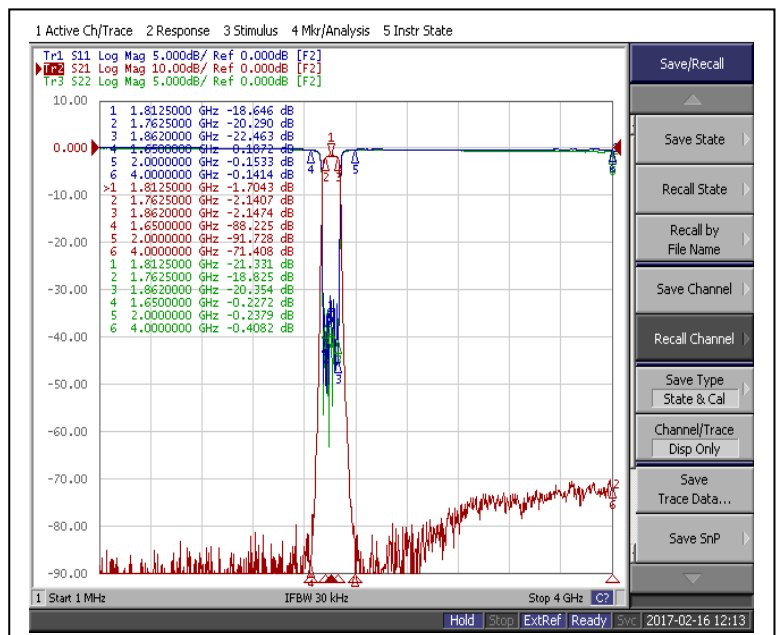
- Product Name : CERAMIC BANDPASS FILTER
- Part No : HD34249



A-A

Unit : mm
Tolerance : +/- 0.3

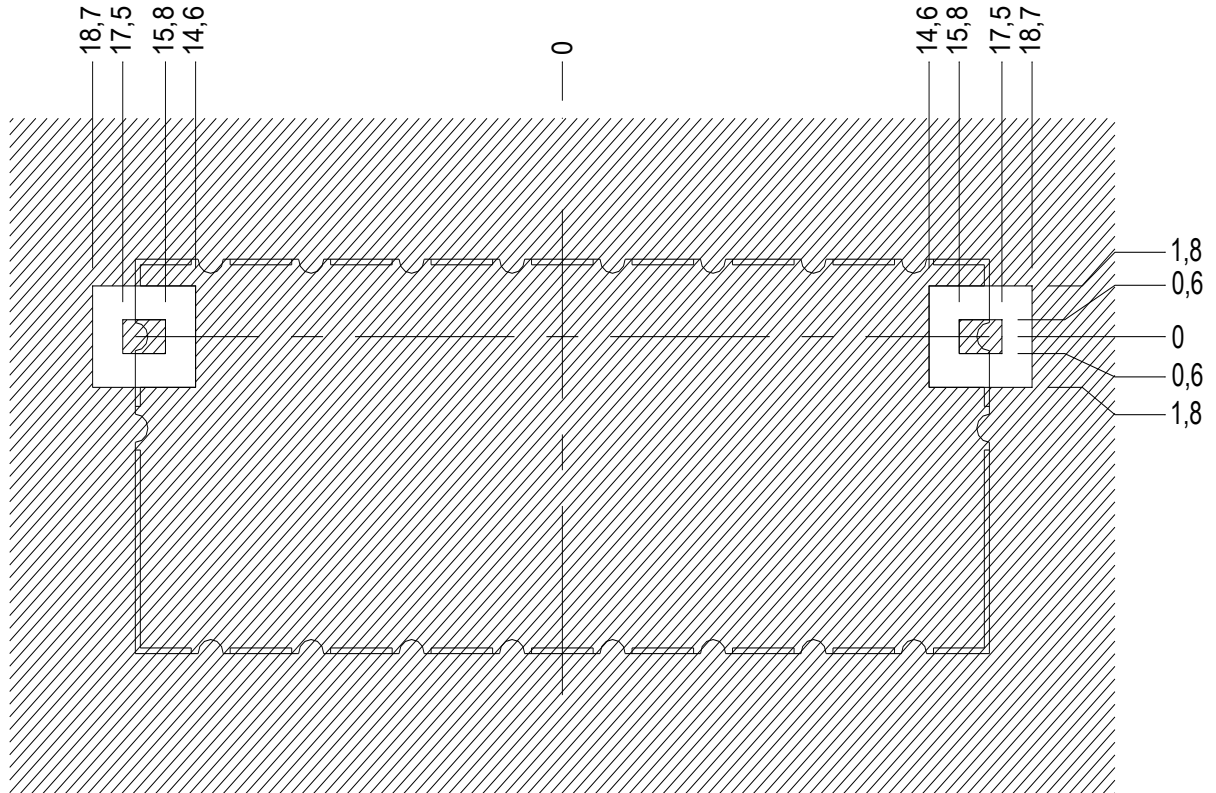
1. Center Frequency : 1812.5MHz
2. 3dB Bandwidth : 100MHz (1762.5 ~ 1862MHz)
3. Insertion Loss in BW : 3.0dB Max.
4. Ripple in BW : ± 0.25 dB Max.
5. Rejection : 60dB Min. @ 1 MHz to 1650MHz.
60dB Min. @ 2000MHz to 4000MHz.
6. Input Power : 1.0W Max.
7. Impedance : 50 Ω
8. Operating Temperature : -40 $^{\circ}$ C ~ +85 $^{\circ}$ C



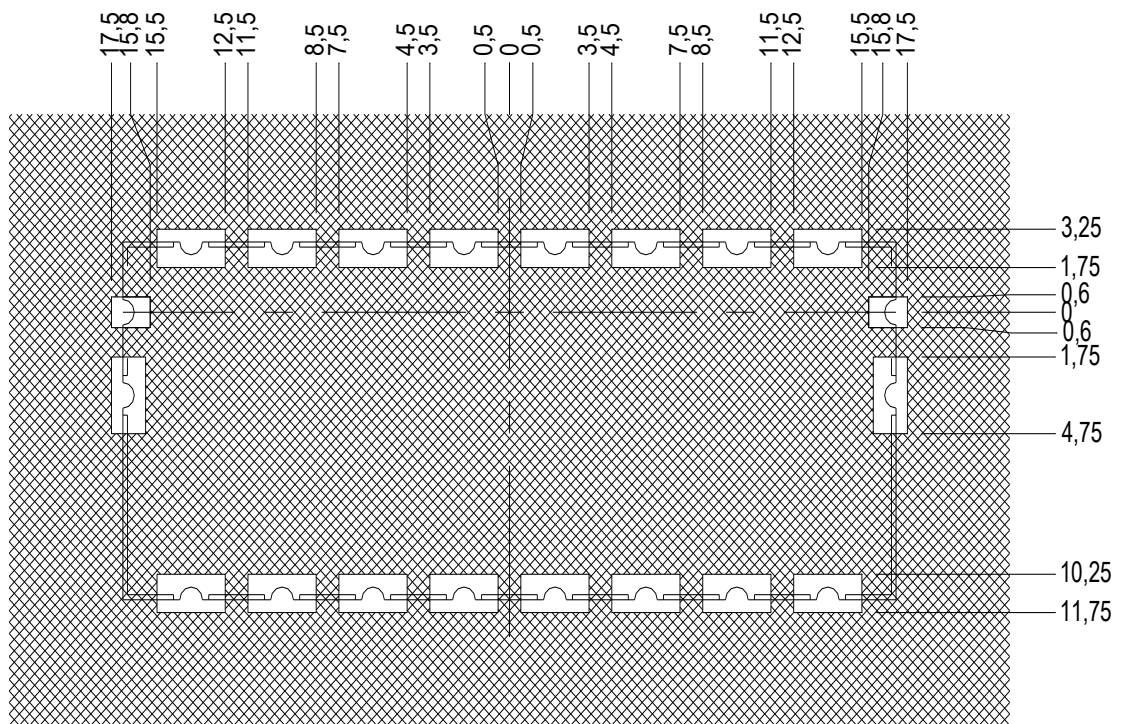
[PLOT DATA]

9. Size : 34 X 14 X 5mm

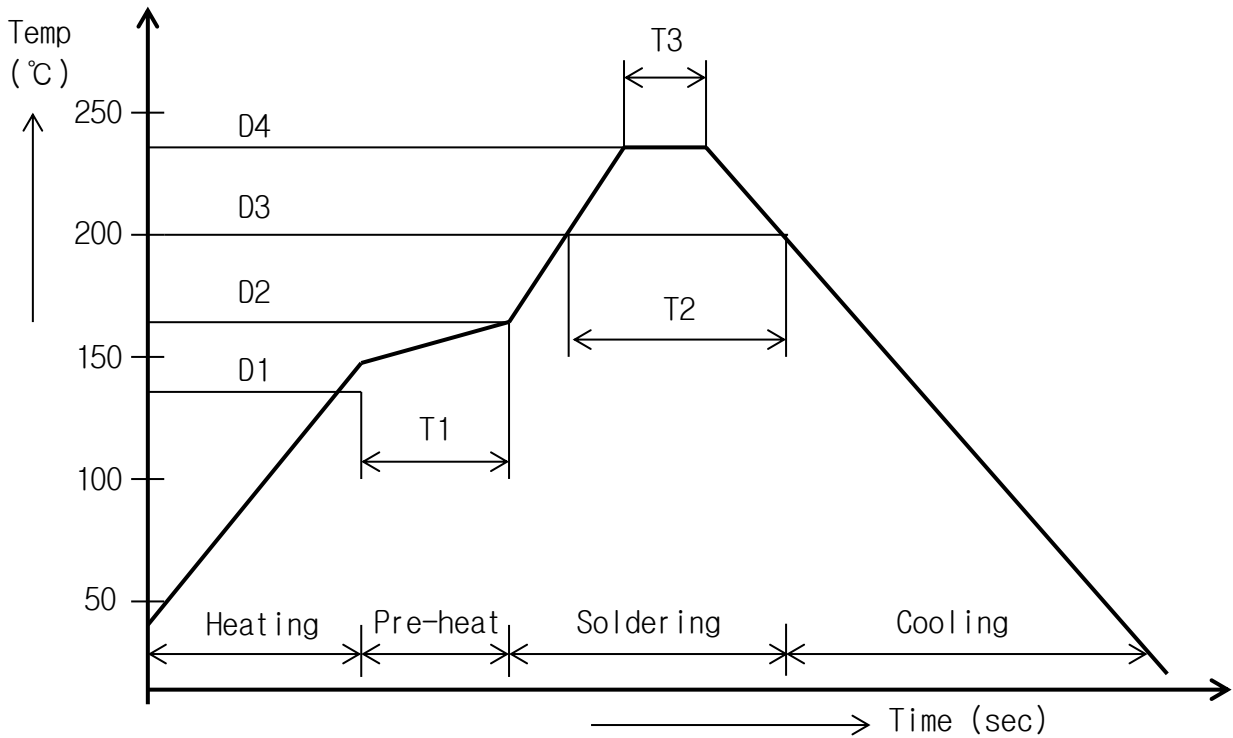
■ Land Pattern



■ Solder Resistor



■ Soldering Time Profile



| No | ITEM | TEMPERATURE | TIME(SEC) |
|----|-------------|---------------------|--------------|
| 1 | PRE-HEAT | D1 : 140 ~ D2 : 160 | T1 : 60±20 |
| 2 | SOLDERING | D3 : 200 | T2 : 20 ~ 30 |
| 3 | TEMPERATURE | D4 : 230±10 | T3 : 7 MAX |

1) Soldering Iron Condition

- (1) Temperature : 230°C max
- (2) Duration : 4 sec max (1 part)
- (3) Capacity : 3W max