

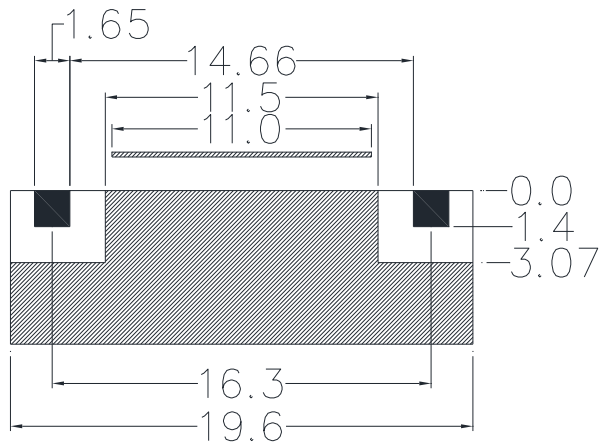
PRODUCT SPECIFICATION FOR INFORMATION

PRELIMINARY SPECIFICATION

Product Name : Monoblock Band Pass Filter

Part No : HD34281

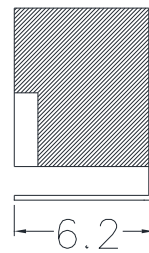
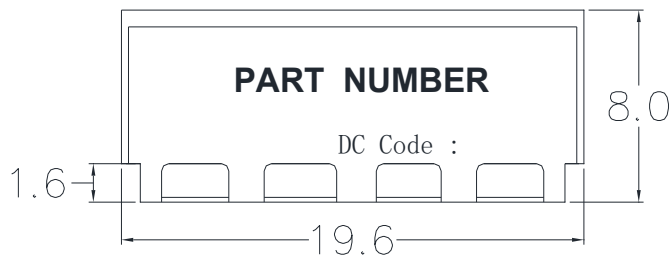
■ Mechanical Drawing




 IN-OUT Port
 GROUND
 TOLERANCE : ± 0.3
 UNIT: mm

TOP VIEW

SIDE VIEW



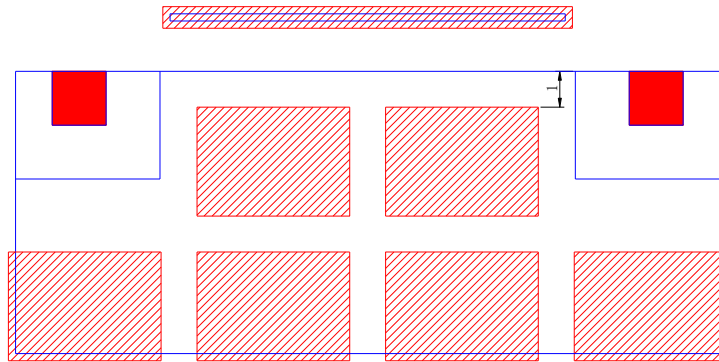
Note
 1. Connector : SMD
 2. Finish : Silver Plated

■ Electrical Specification

Parameter	Specification	Remark
1. Center Frequency	3100MHz	
2. Frequency Range	$f_0 \pm 15[3085 \sim 3115]$ MHz	
3. Insertion Loss in Pass Band	1.5dB Max.	
4. Return Loss	15dB Min,	
5. Stop Band rejection	45dB Min. @ 4470~4530MHz	
6. Input / Output Impedance	50 Ω	
7. Power Handling	20W max	CW
8. Mounting	SMD	
9. Operating temp	-40 to +85°C	

Remarks: This is a preliminary datasheet for reference.

■ RECOMMENDED PC BOARD PATTERN



 **GROUND SOLDERING POINT**
 **I/O PORT SOLDERING POINT**