

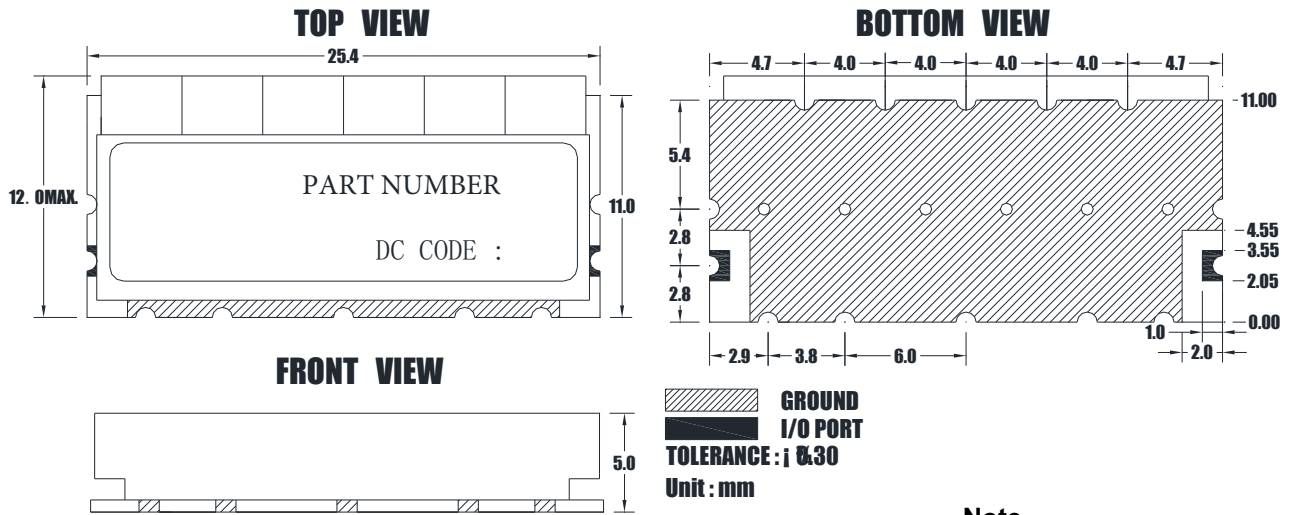
PRODUCT SPECIFICATION FOR INFORMATION

PRELIMINARY SPECIFICATION

Product Name : Ceramic Band Pass Filter

Part No : HD34285

■ Mechanical Drawing

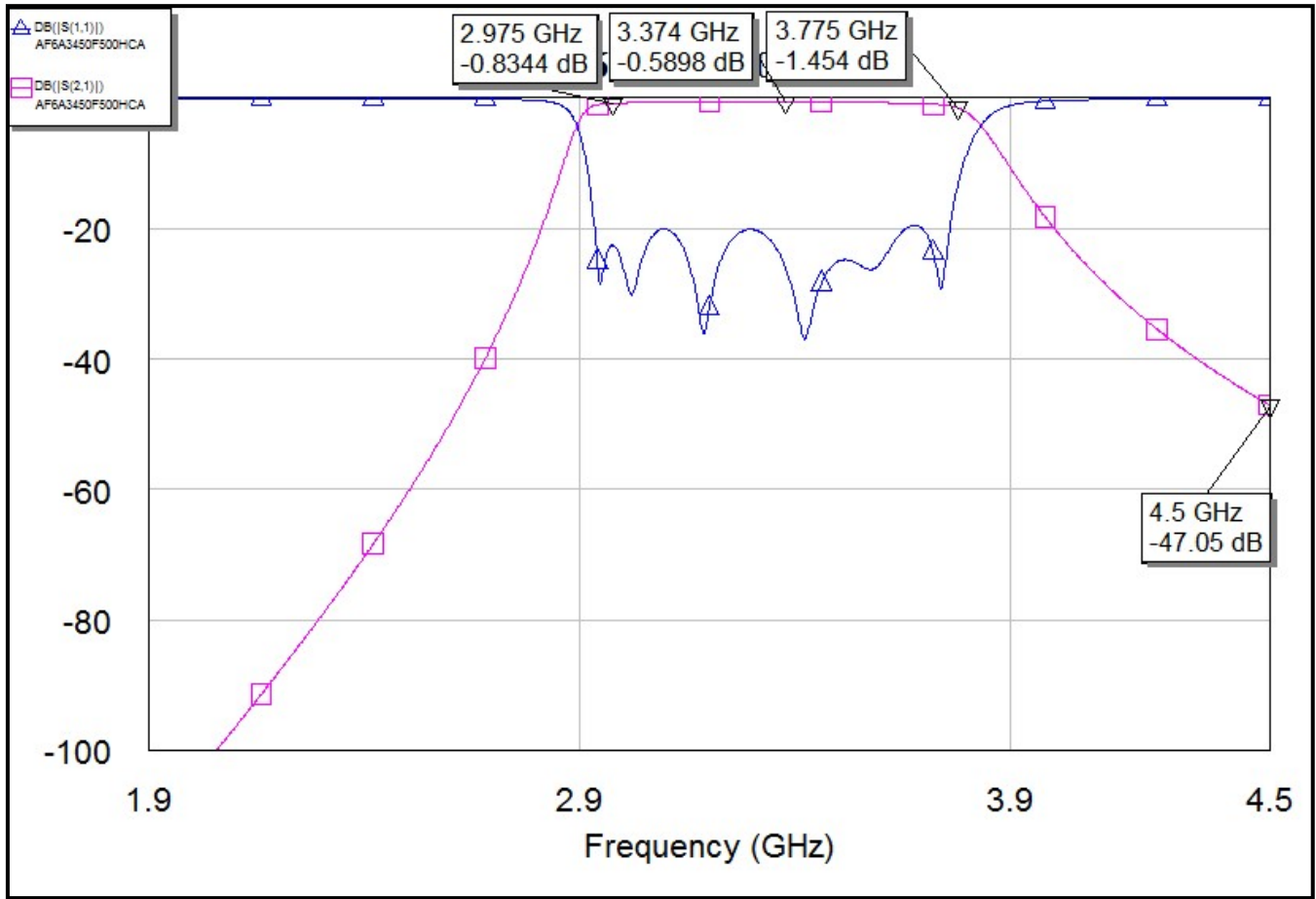


- Note**
 1. Connector :SMD
 2. Finish : Au Plate

■ Electrical Specification

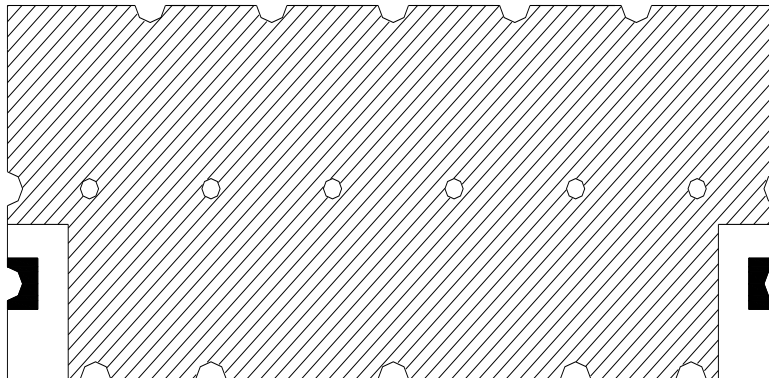
Parameter	Specification	Remark
1. Center Frequency	3375MHz	
2. Frequency Range	C.F.±400MHz[2975~3775MHz]	
3. Insertion Loss	3.0dB Max.	
4. Ripple	1.0dB Max.	
5. Return Loss	15dB Min.	
6. Attenuation	60 dB Min @ 1900MHz	
	45 dB Min @ 4500MHz	
7. Impedance	50Ω	
8. Operating Temperature	-40 + 85 °C	

Remarks: This is a preliminary datasheet for reference. The final performance is subject to the sample.



■ Simulation Curves

■ RECOMMENDED PC BOARD PATTERN



Remarks: Recommend using silver-containing solder paste.