

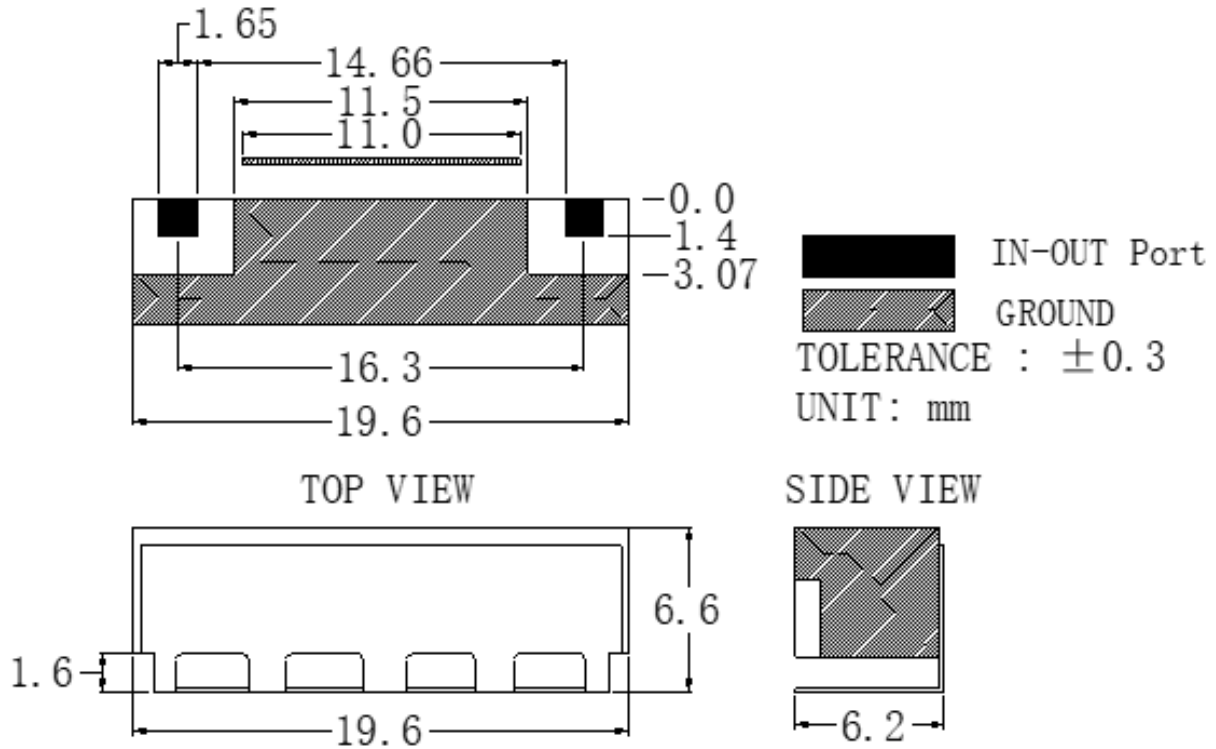
PRODUCT SPECIFICATION FOR INFORMATION

PRELIMINARY SPECIFICATION

Product Name: MonoBlock Band Pass Filter

Part No: HD34286

■ Mechanical Drawing



Note
1. Connector: SMD
2. Finish: Silver plated

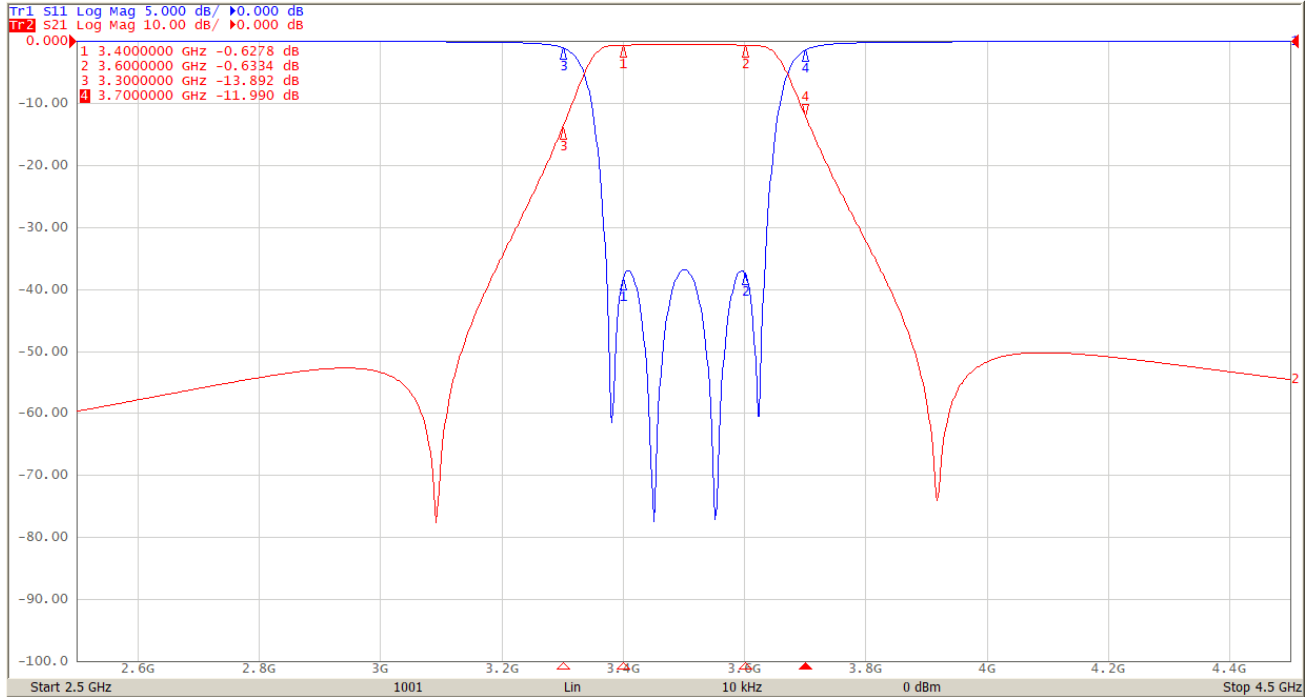
■ Electrical Specification

Parameter	Specification	Remark
1. Center Frequency	3500MHz	
2. Bandwidth [BW]	$F_c \pm 100\text{MHz}$ [3400~3600MHz]	
3. Insertion Loss in BW	1.0dB Max.	
4. Ripple in BW	0.5dB Max.	
5. Return Loss in BW	14dB Min.	
6. In/Out Impedance	50Ω	
7. Attenuation [Absolute Value]	10dB Min.@ 3300MHz	
	10dB Min.@ 3700MHz	
8. Power	10W Max.	
9. Operation Temperature Range	-40°C to +85°C	

Remarks: This is a preliminary datasheet for reference.

■ Test curve

2022-07-11 07:13:42



■ Recommended PC Board Pattern

