

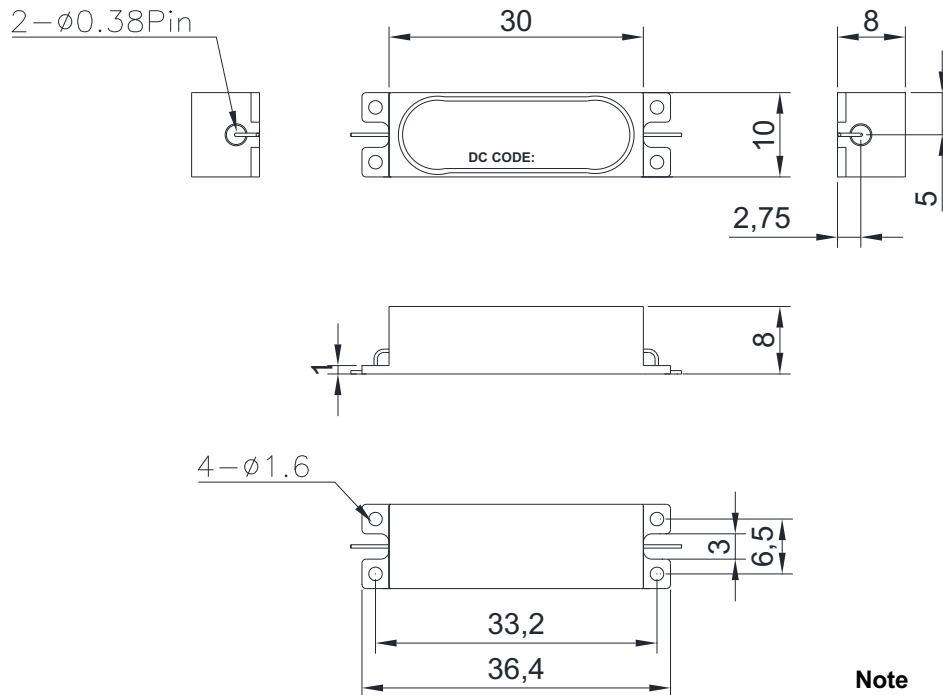
PRELIMINARY SPECIFICATION

Product Name : LC Band Pass Filter

Part No : HD34344

PRODUCT SPECIFICATION FOR INFORMATION

■ Mechanical Drawing



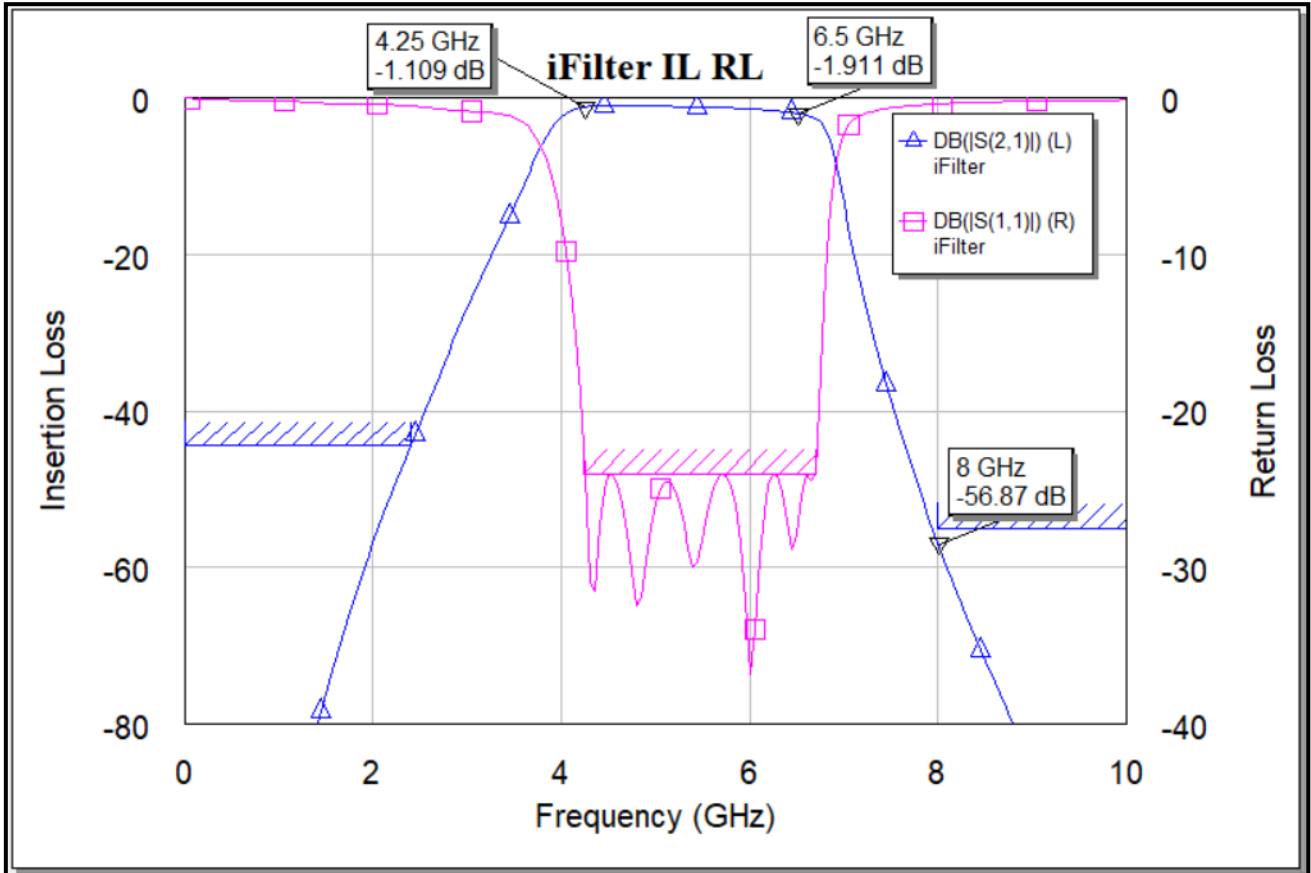
Note

1. Connector : SMD
2. Pin Plating : Au
3. Pin diameter : 0.38mm
3. Finish : Ag Plating

■ Electrical Specification

Parameter	Specification	Remark
1.Center Frequency	5375MHz	
2.Pass Band Frequency	C.F \pm 1125MHz[4250~6500MHz]	
3.Insertion Loss	2.5dB Max.	
4.Return Loss	10dB Min.	
5.Rejection	20dB Min @ 3000MHz 50dB Min @ 8000MHz	
6.Impedance(I/O)	50 Ω	
7.Connectors(I/O)	SMD	
8.Dimension(W x D x H)	See above dimension	Unit : mm
9. Input RF Power	1W Avg.Max.	
10.Operating Temperature	-30 $^{\circ}$ C~70 $^{\circ}$ C	

* Remarks: Preliminary datasheet is just for reference. Final datasheet is subject to the performance of samples.



■ Simulation Curve

■ RECOMMENDED LAND PATTERN

