

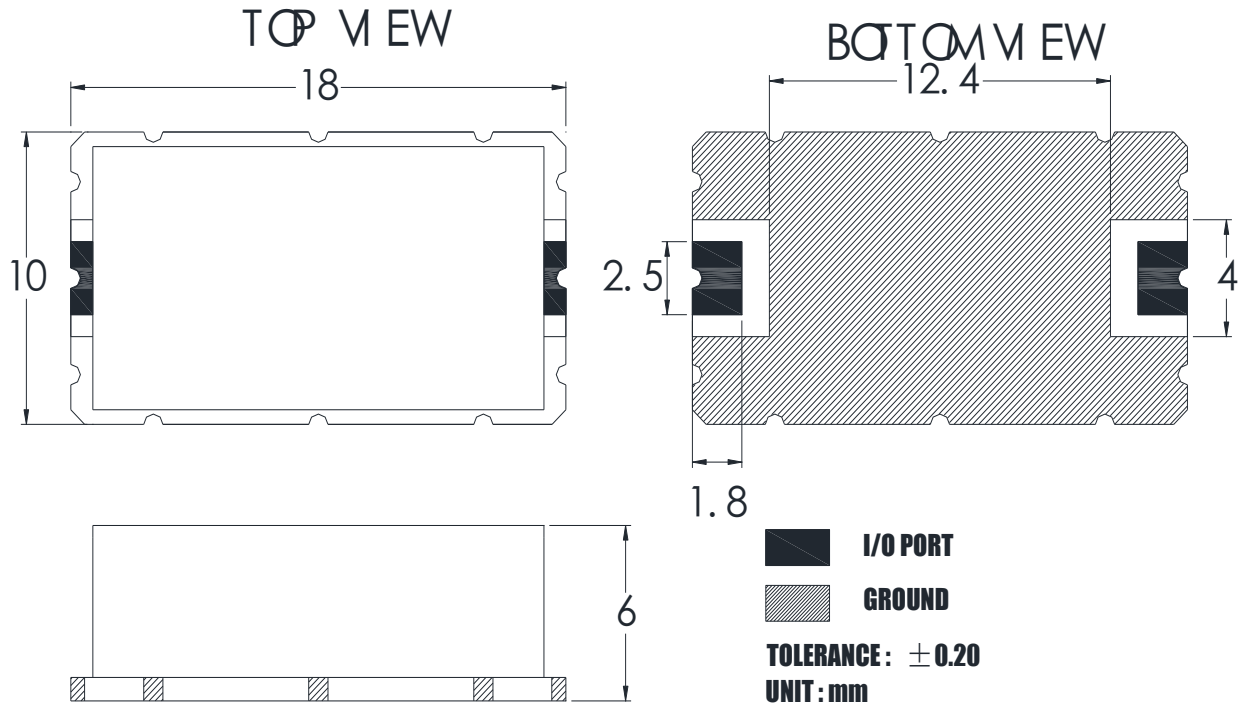
# **PRODUCT SPECIFICATION FOR INFORMATION**

PRELIMINARY SPECIFICATION

**Product Name : LC Band Pass Filter**

**Part No : HD34353**

■ Mechanical Drawing

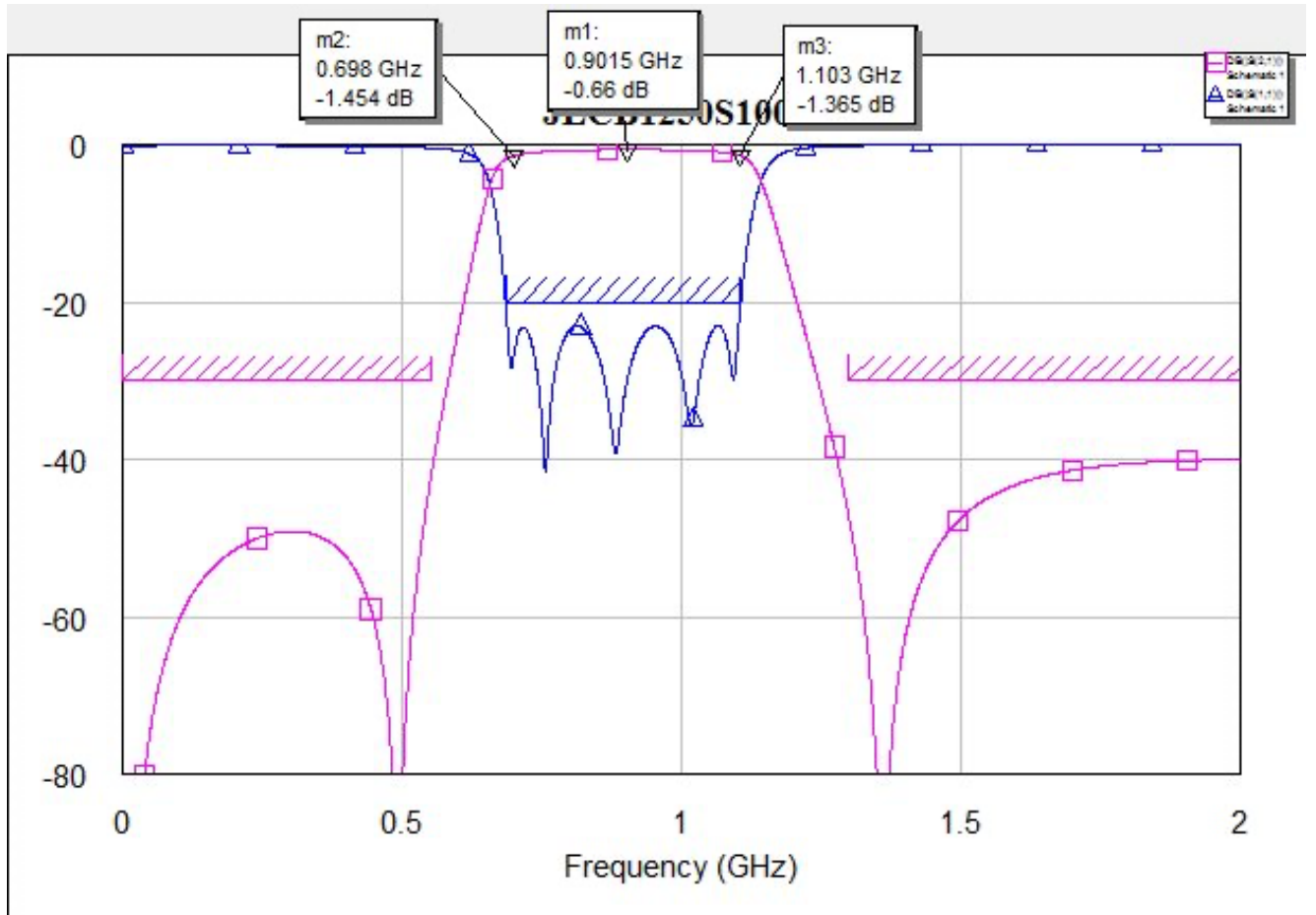


■ Electrical Specification

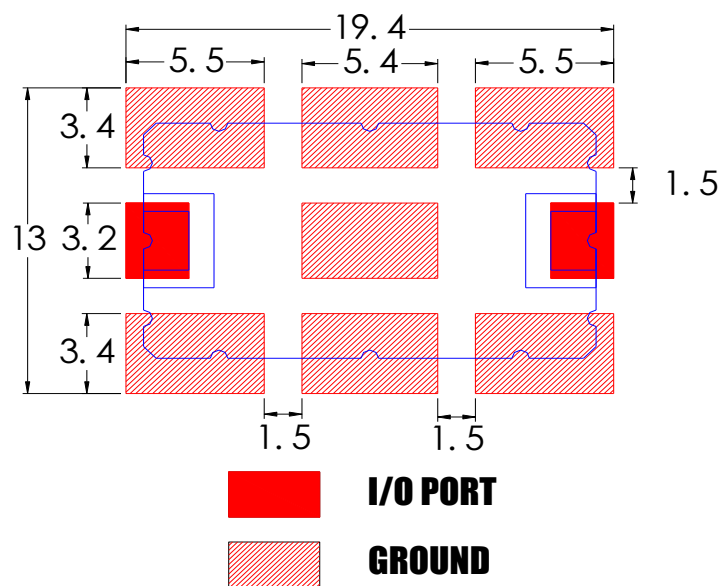
Parameter	Specification	Remark
1. Center Frequency	900MHz	
2. Frequency Range	Fo ±200[700 ~ 1100]MHz	
3. Insertion Loss	3.0dB Max.	
4. Passband Ripple	1.0dB Max.	
5. VSWR	1.5 : 1 Max.	
6. Rejection	30dB Min @ DC ~ 550MHz 30dB Min @ 1300 ~ 2000MHz	
7. Power Handling	1W Max	
8. Impedance	50Ω	
9. Size	18.0 X 10.0 X 6.0mm	

※It is subjected to change with prior notice.

■ Simulation Curve



■ Recommended PCB Land Pattern



※Recommended using the solder pate of 183°C melting temperature

338 Jericho Turnpike, unit 387

Syosset, NY 11791 www.rfcomp.com www.rfamplifiers.com 631-588-3877 sales@hdcom.com