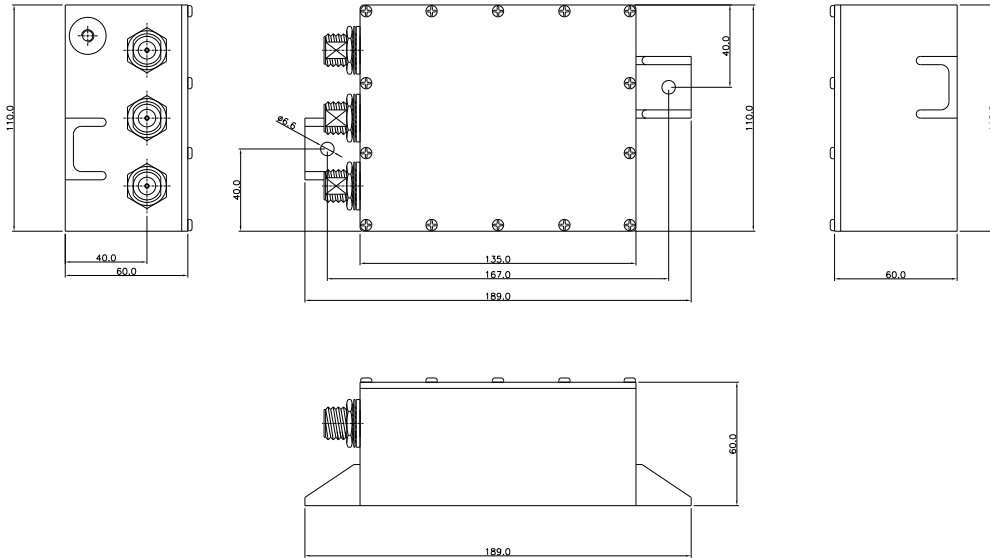


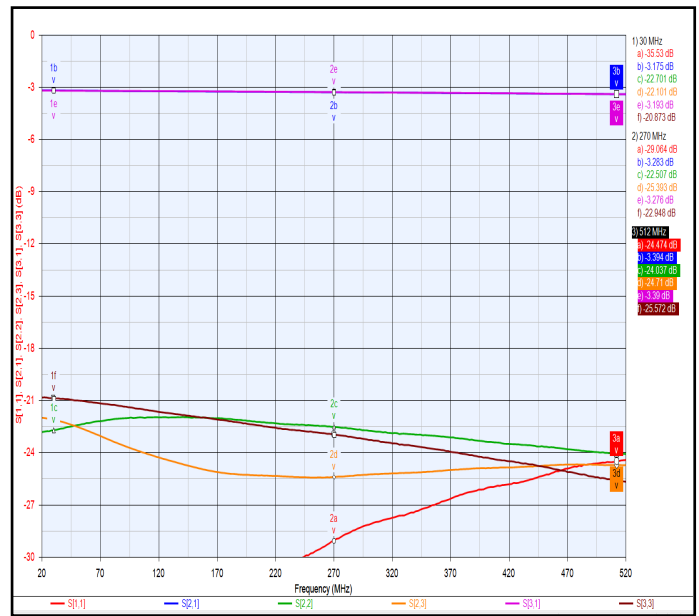
PRELIMINARY SPECIFICATION



[Mechanical 2D Drawing]

■ Electrical Specification

1.Frequency Range	30~512MHz
2.Bandwidth	482MHz
3.Insertion Loss (Max)	3.6dB
4.V.S.W.R	1.3:1
5.RF Power Capability CW	200W CW
6.Isolation(Min)	20dB@30~88MHz / 225~400MHz
7.Channel spacing	Any spacing(equipment defined)
8.Radio bit rate	Any rate (equipment defined)
9.Operating temp	-55 ~ +71 °C
10.Weight	1.15Kg
11.Connector	N type (F)
12.EMC	Per MIL STD 462
13.NEMP	Per AEP4/STANAG 4145
14.Environmental	Per MIL STD810/DIN 58390
15.Size (WxDxH)	189.0 x 110.0 x 60.0



[SIMULATION CURVE]