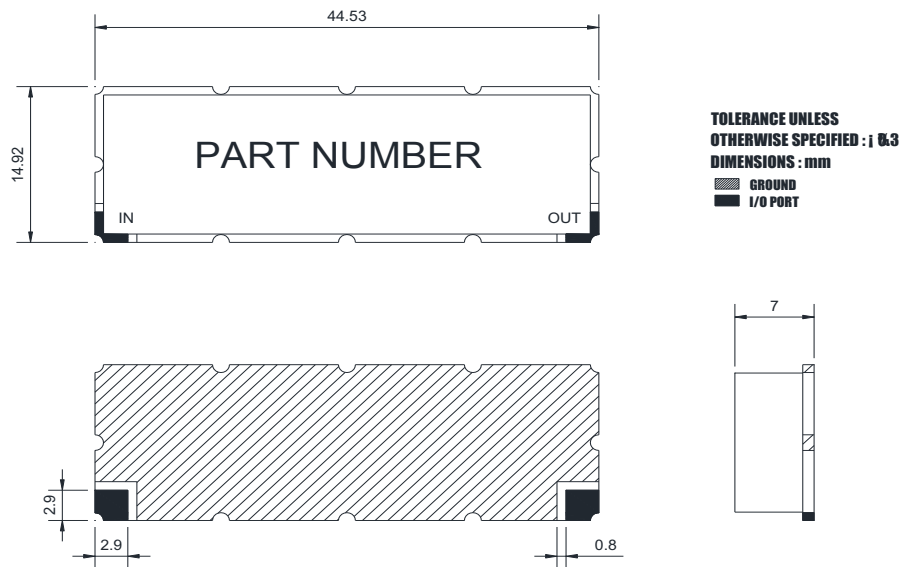
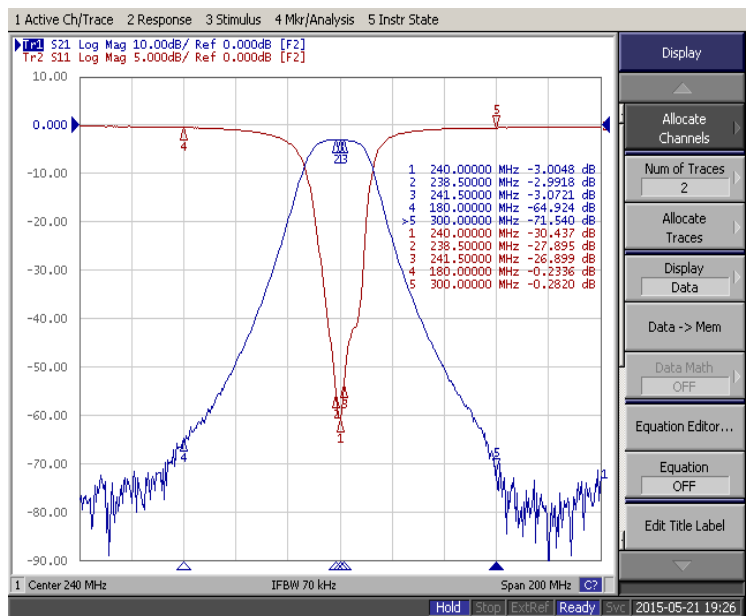


# PRODUCT SPECIFICATION FOR INFORMATION

- Product Name : LC BAND PASS FILTER
- Part No : HD34364



1. Center Frequency : 240MHz
2. Bandwidth : 3MHz
3. Insertion Loss : 3.5dB Max.
4. Return Loss : 15dB Min.
5. Attenuation : 60dB Min. @ DC ~ 180MHz  
60dB Min. @ 300MHz
6. Input Power : 2.0W Max.
7. Impedance : 50Ω
8. Operating Temperature : -25°C ~ +75°C
9. Size : 44.53 X 14.92 X 7.0mm



[ PLOT DATA ]