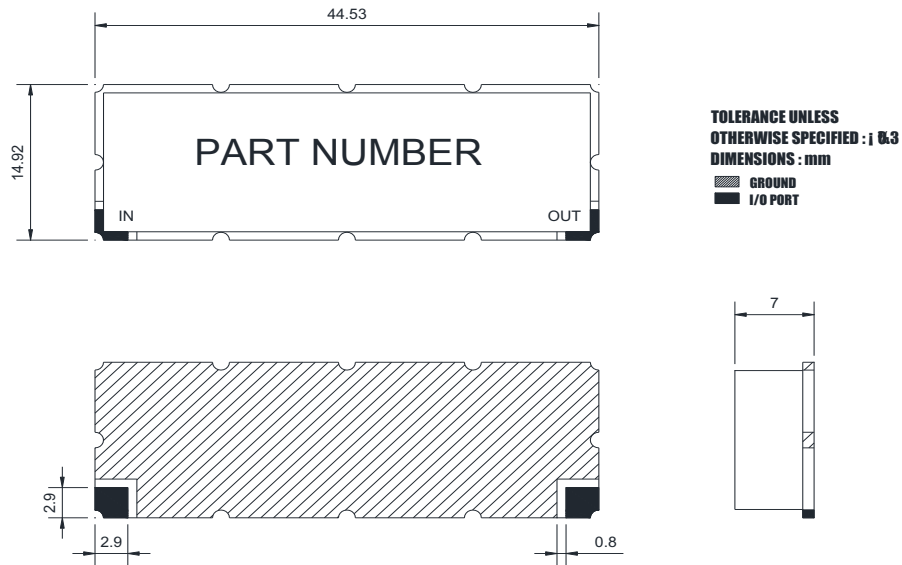
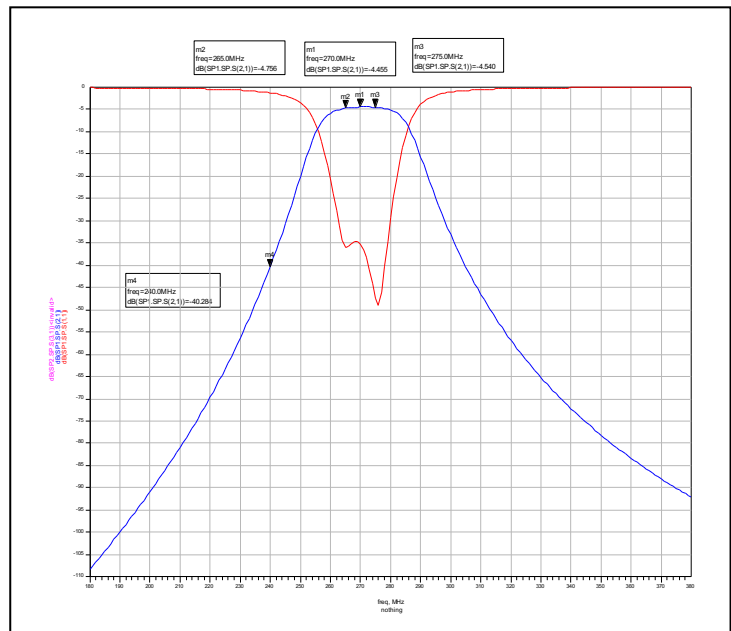


PRODUCT SPECIFICATION FOR INFORMATION

- Product Name : LC BAND PASS FILTER
- Part No : HD34365



1. Center Frequency : 270MHz
2. Bandwidth : 10MHz
3. Insertion Loss : 5.0dB Max.
4. Return Loss : 15dB Min.
5. Attenuation : 60dB Min. @ DC ~ 210MHz
40dB Min. @ 240MHz
60dB Min. @ 330MHz
6. Input Power : 2.0W Max.
7. Impedance : 50Ω
8. Operating Temperature : -25°C ~ +75°C
9. Size : 44.53 X 14.92 X 7.0mm



[PLOT DATA]