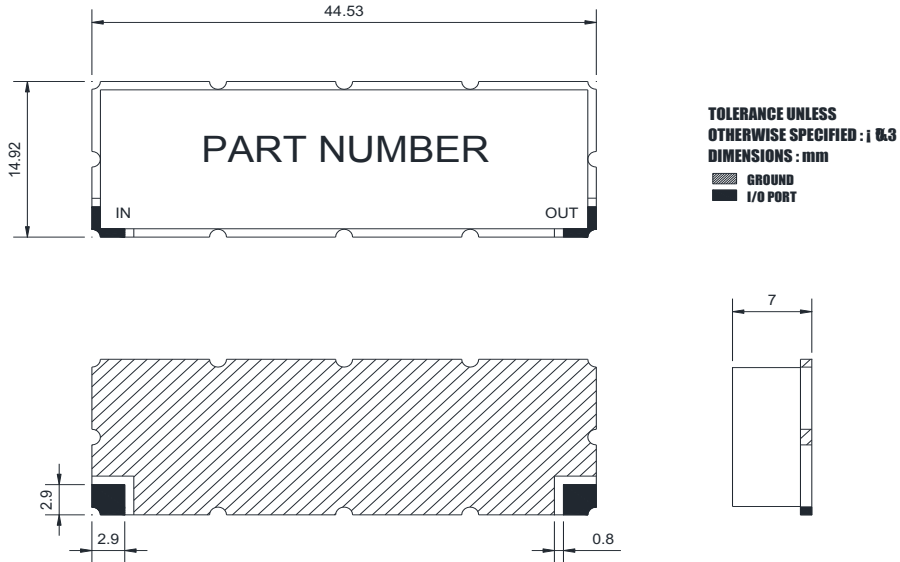
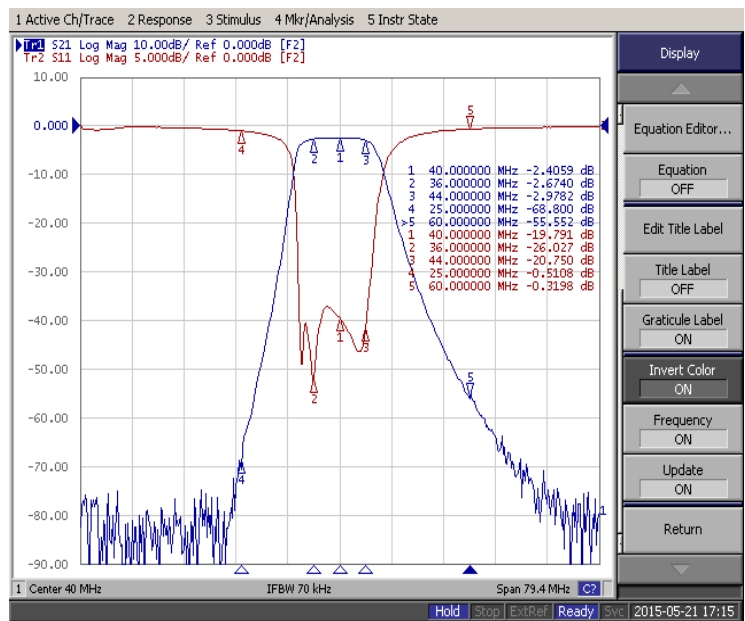


# HD34370

# LC Band Pass Filter



- Center Frequency : 40MHz
- Bandwidth : 8MHz
- Insertion Loss : 3.5dB Max.
- Return Loss : 15dB Min.
- Attenuation : 45dB Min. @ DC ~ 25MHz  
45dB Min. @ 60MHz
- Input Power : 2.0W Max.
- Impedance : 50Ω
- Operating Temperature : -25°C ~ +75°C
- Size : 44.53 X 14.92 X 7.0mm



[ PLOT DATA ]

338 Jericho Tpke. Ste 387, Syosset, NY 11791

Tel: (631) 588-3877 Email: [sales@hdcom.com](mailto:sales@hdcom.com)

© COPYRIGHT 2008-2023 HD Communications Corp.

All rights reserved. Redistribution or republication of these pages in any form requires express written consent.