



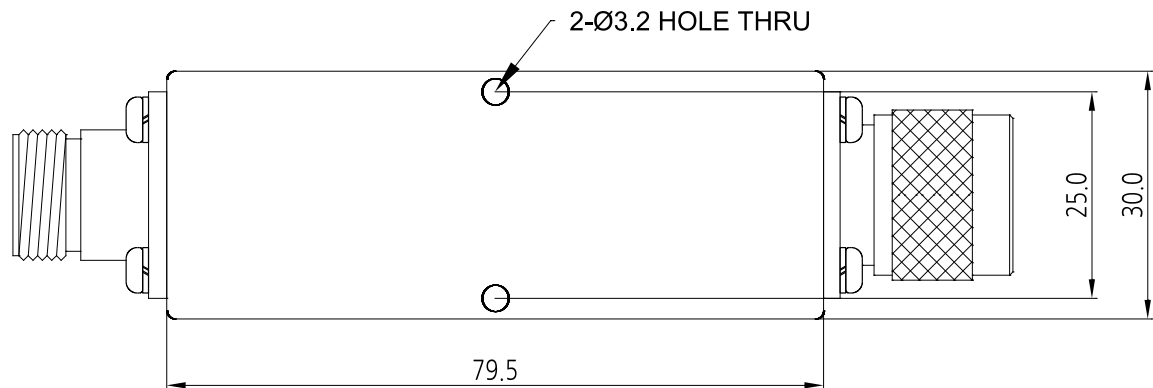
# **PRODUCT SPECIFICATION FOR INFORMATION**

PRELIMINARY SPECIFICATION

**Product Name: Cavity Low Pass Filter**

**Part No: HD34380**

■ Mechanical Drawing



**Note**

1. Input/Output Connector: N-Female/N-Male
2. Finish: Black Epoxy

■ Electrical Specification

Parameter	Specification	Remark
1. Center Frequency	135MHz	
2. Pass Band Frequency	$F_c \pm 135\text{MHz}$ [DC~270MHz]	
3. Insertion Loss	1.0dB Max.	
4. Ripple	0.8dB Max.	
5. VSWR	1.6:1 Max.	
6. Rejection	60dB Min.@ 400MHz	
7. Impedance	50Ω	
8. Input Power	500W Peak. (20% duty cycle)	
9. Operation Temperature	-40°C to +85°C	
10. Storage Temperature	-55°C to +85°C	

Remarks: This is a preliminary datasheet for reference.

■ **Simulation Data**

