

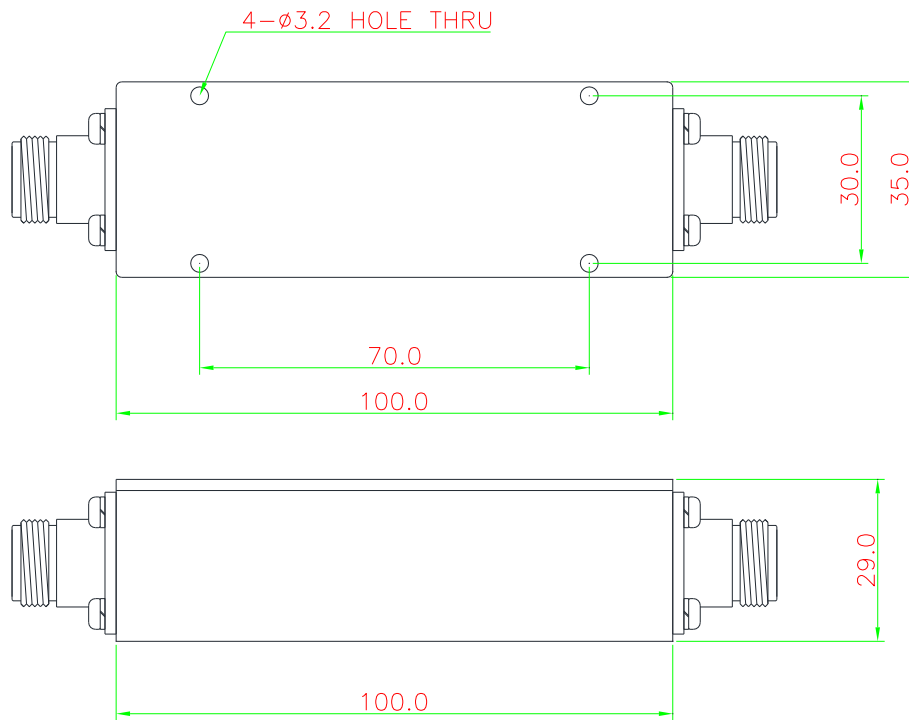
PRODUCT SPECIFICATION FOR INFORMATION

PRELIMINARY SPECIFICATION

Product Name: Low Pass Filter

Part No: HD34381

■ **Mechanical Drawing**

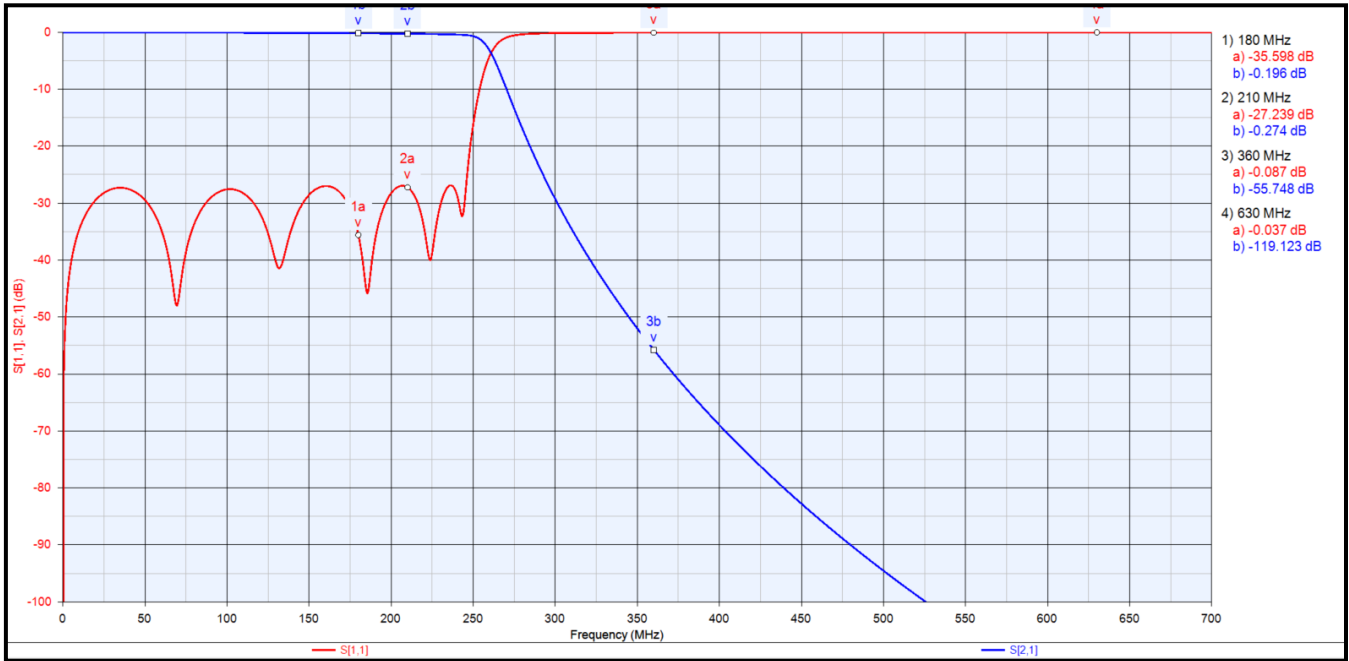


Note
1. Connector: N-Type (F)
2. Finish: Black Epoxy

■ **Electrical Specification**

Parameter	Specification	Remark
1. Pass Band Frequency	180-210MHz	
2. Insertion Loss	0.3dB Max.	
3. VSWR	1.3:1 Max.	
4. Rejection	50dB Min.@ 2 nd and 3 rd harmonic	
5. In/Out Impedance	50 Ω	
6. Power Handling	700W peak, 20% duty of 4ms pulse width	
7. Size	100 x 35 x 29 mm	
8. Temperature Range	-20°C to +65°C	

Remarks: This is a preliminary datasheet for reference.



■ **Simulation Curve**