

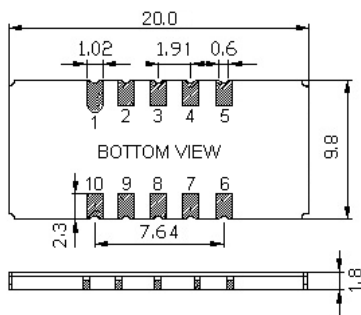
PRODUCT SPECIFICATION FOR INFORMATION

- Product Name : IF SAW FILTER
- Part No : HD34456

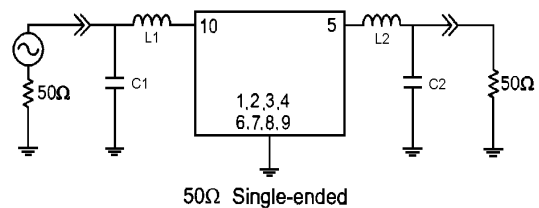
1. Typical Performance

2. Specification

Parameter	Unit	Min.	Typ.	Max.
Center Frequency	MHz		70.00	
Insertion Loss	dB	-	13.00	15.00
1dB Bandwidth	MHz	2.50	2.80	-
3dB Bandwidth	MHz	-	3.30	-
30dB Bandwidth	MHz	-	4.80	5.00
40dB Bandwidth	MHz	-	5.10	5.50
Amplitude Ripple	dB	-	0.50	1.00
Group Delay Variation	nsec	-	70	150
Absolute Delay	µsec	-	1.80	-
Attenuation	dB	40	45	-
Temperature Coefficient	ppm/°C	-20		
Package	mm	20 X 9.8 X 1.8mm		



10: Input , 1: In-Gnd
5: Output , 6: Out-Gnd
2,3,4,7,8,9: Case Gnd



L1=L2=C1=C2=TBD
Source / Load Impedance = 50Ω
Ambient Temperature = 25°C