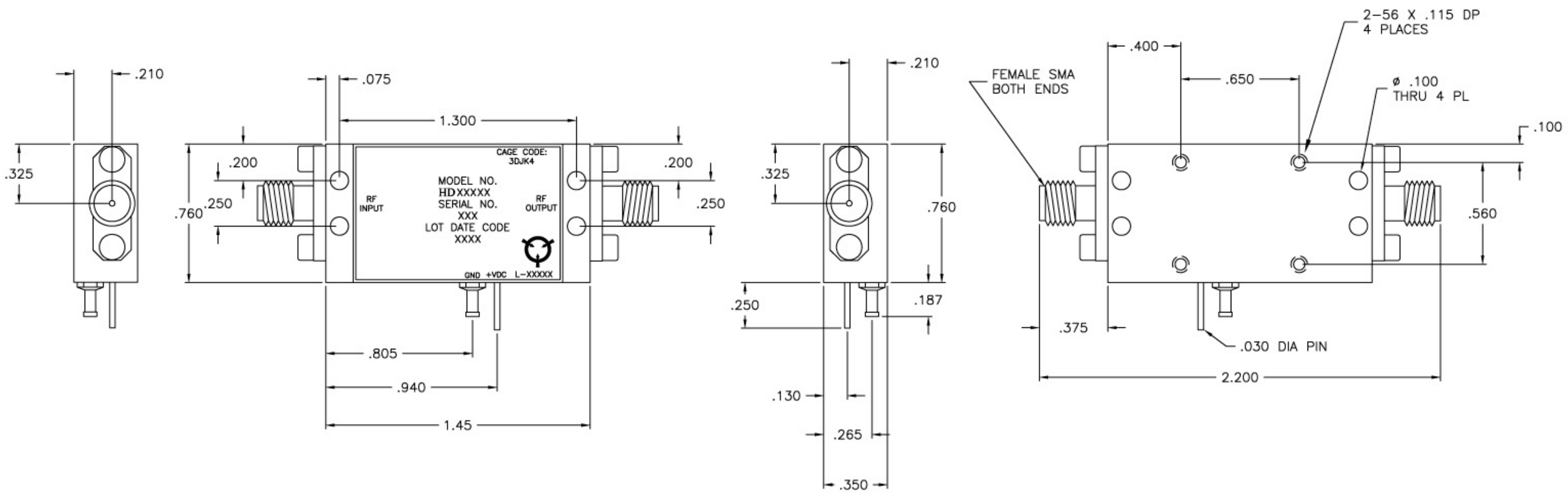


REVISIONS					
ZONE	REV	DESCRIPTION	ECO#	DATE	APPROVED
	A	RELEASED		8/12/05	D.F
	B	SEE ECO 1646			



ITEM NO.	QTY REQD	PART OR IDENTIFYING NO.	NOMENCLATURE OR DESCRIPTION	MATERIAL SPECIFICATION
PARTS LIST				
UNLESS OTHERWISE SPECIFIED: DIMENSIONS ARE IN INCHES. TOLERANCES ARE:		CONTRACT NO.		
FRACTIONS	DECIMALS	HOLES	ANGLES	APPROVALS
± 1/64	.XX ±.03	.XX ±.03	± 0°30'	DATE
	.XXX ±.010	.XXX ±.010		S. BROWN 8/12/05
MACHINED FINISH: 32 RMS		DRAWN		
REMOVE BURRS .005 MAX		CHECKED		
MATERIAL		M. JUAREZ 8/12/05		
ALUMINUM 6061-T6		MECHANICAL ENGR		
FINISH		ELECTRICAL ENGR		
ELECTROLESS NICKEL		PRODUCT ASSURANCE		
PER MIL-C-26074		L. HOWELL 8/12/05		
CLASS 4 GRADE B		PLANNING		
.0005 ± .0001 MAX		J. HARRISON 8/12/05		
NEXT ASSY		MANUFACTURING		
USED ON		SCALE 1/1		
APPLICATION		SHEET 1 OF 1		

HD Communications, Corp.
2180 Fifth Avenue, Ronkonkoma, NY 11779
Tel: 631-588-3877, Fax: 631-588-3879

HD27405

SIZE B CAGE CODE 3DJJK4 DWG. NO. HD27405 REV. B

HD27405

A